

FQ60X2PEAI

New product Available soon

91cm Four Door Fridge-Freezer with Convertible Compartment, LCD Touch Display and Automatic Non-Plumbed Ice Maker, Finger Friendly Stainless Steel
Energy rating: A++

EAN13: 8017709272951



- Gross capacity: 626 litres
- External LCD touch control display
- Power saving mode, Economy mode, Multizone, Fast freezing, Fast cooling

REFRIGERATOR:

- Fresh Food capacity: 376 litres (459 litres with convertible compartment)
- 2 adjustable glass shelves
- 1 fixed glass shelf
- 1 x Life Plus 0°C drawer
- 2 fruit & veg drawers with Natural plus Blu light

Water tank

Water dispenser

- LED Internal light
- Convertible 83 litres compartment freezer/refrigerator

FREEZER: ****

- Frozen Food capacity: 71 litres (154 litres with convertible compartment)

Automatic Ice maker

- Fast freezing compartment
- 3 drawers
- 2 shelves
- Completely NO FROST
- Energy consumption: 356 kWh/year
- Climatic Class: SN-T
- Freezing capacity: 8 kg/24h



- Thaw time: 15 hrs
- Noise level: 43 dB (A) re 1 pW

Rear panel material : Flame Retardant Metal back

Smeg (UK) Ltd
The Magna Building, Wyndyke Furlong, Abingdon
OX14 1DZ
Tel. +44 (0)844 557 9907
Fax +44 (0)844 557 9337



FQ60X2PEAI

fridge freezer
free standing
side-by-side
stainless steel
91 cm
energy rating A++

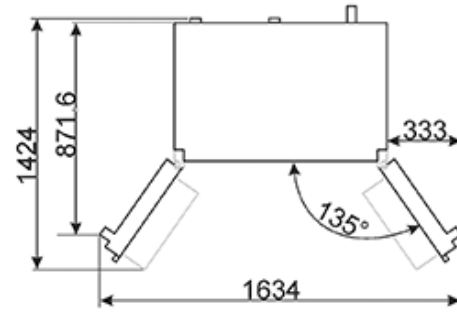
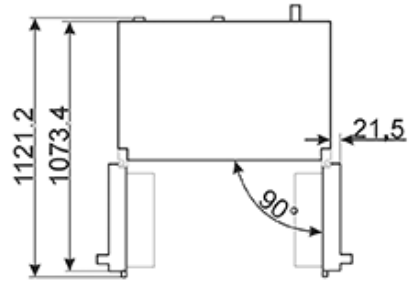
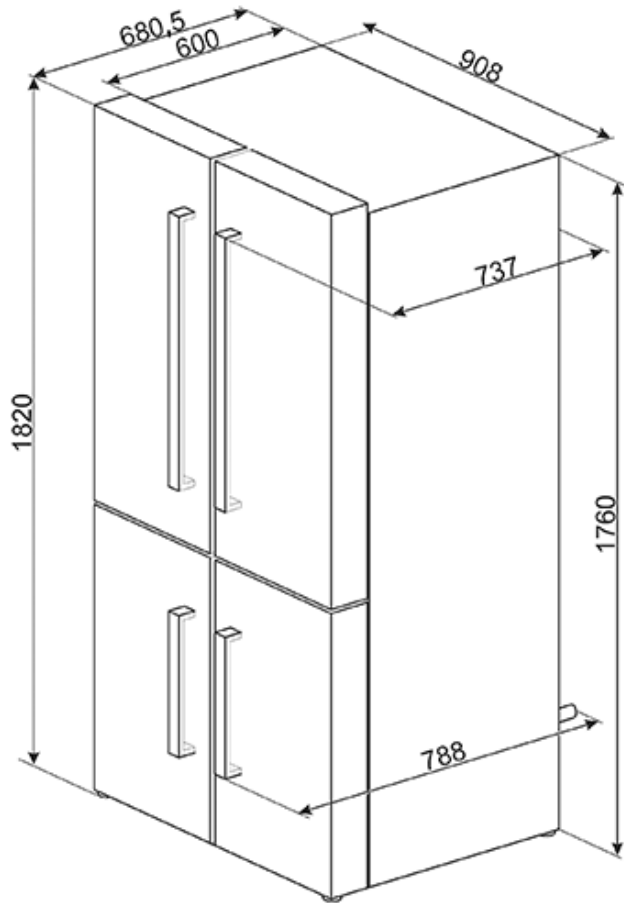


Smeg (UK) Ltd
The Magna Building, Wyndyke Furlong, Abingdon
OX14 1DZ
Tel. +44 (0)844 557 9907
Fax +44 (0)844 557 9337



FQ60X2PEAI

fridge freezer
free standing
side-by-side
stainless steel
91 cm
energy rating A++



Smeg (UK) Ltd
The Magna Building, Wyndyke Furlong, Abingdon
OX14 1DZ
Tel. +44 (0)844 557 9907
Fax +44 (0)844 557 9337