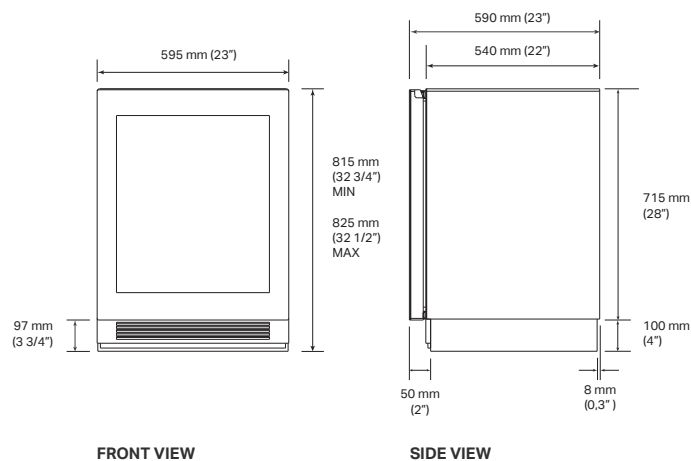


SKSUW2401G | Undercounter wine cellar



FRONT VIEW

SIDE VIEW

SKSUW2401G	EAN: 8806091740960
Door type (non-reversible)	Glass
Hinges	Plat
Internal finish	Stainless steel
Etichetta Energetica	
Energy efficiency class	D
Bottle Capacity (750 ml)	41
Maximum sound level	< 37 dbA Max
Yearly total energy consumption (kW/h)	100
Power consumption (W)	50
Average power consumption (W)	12
Estimated maximum power consumption (W)	45
General Properties	
No-Frost	•
Smart Inverter compressor	•
Wi-Fi enabled for SmartThinQ® control with iOS/Android app	•
Wine Cave Technology™	•
Temperature zones	2
Operating temperatures	from 5°C to 18°C
Functions that can be enabled from the control panel	Demo, Power On / Off, Light On / Off, Lock, Temp Control, Smart Diagnosis™, Wi-Fi
Humidity Control	•
High Altitude Compatibility	•
Anti-vibration motor	•
UV Protection	•
Storage shelves	4
Shelf material	Natural beech wood with stainless steel profiles
Presenter Shelves	•
True-View® Lighting	•
Presenter Shelf Lighting	•
Installation	
Reversible Door	NO
Four Point Front Adjustable with 4 Wheels	•
Attachment method to cabinetry	Top with no visible screws
Front Serviceable	•
Anti-tip Bracket Included	•
Technical Specifications	
Overall width	595 mm (23 1/2")
Overall height	815 mm (32") MIN ~ 825 mm (32 1/2") MAX
Overall depth	590 mm (23")
Net weight	63 kg
Shipping weight	71 kg
Max packaged product dimensions	970x650x650 mm (38"x25"x25")

INSTALLATION NOTES

Electrical specifications

A power supply of 230V, 50Hz, 15 or 20A is required. It is recommended to provide a dedicated outlet with a ground fault circuit interrupter.

Visible area

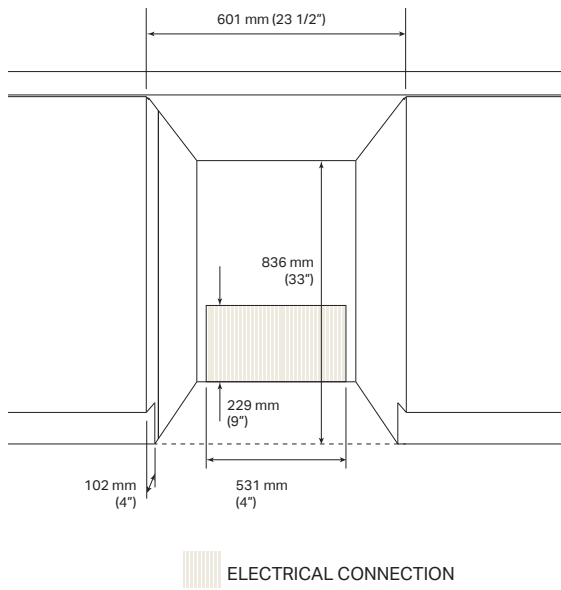
The indicated zone (102 mm) will be visible once the wine cellar doors are opened; plan to finish this area on both sides.

ATTENTION

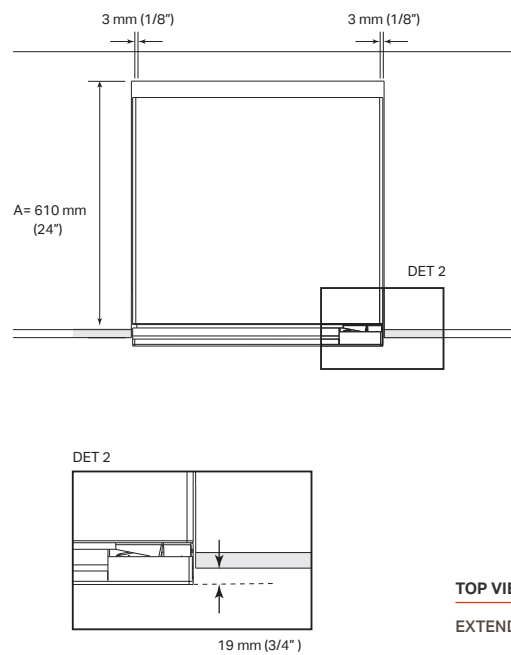
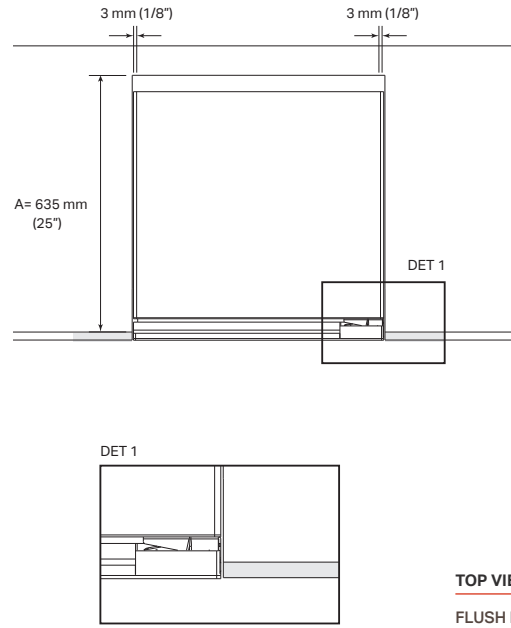
If you plan to place the electrical connection not on the back of the cabinet in which the product is installed, but outside of it, you can install the product flush front in a cabinet with a reduced depth of 605 mm.

NOTE

The product can also be positioned at column height. The product can be installed in a column configuration with the undercounter refrigerator (while still separating the two products with a support shelf).



Flush or extended installation



SKSUW2401G | Undercounter wine cellar

INSTALLATION NOTES

Door clearances with flush installation

The installation must provide clearance relative to adjacent walls or cabinetry. The factory-set door opening is 115° and can subsequently be adjusted to 90° if clearance for 115° opening is insufficient.

ATTENTION

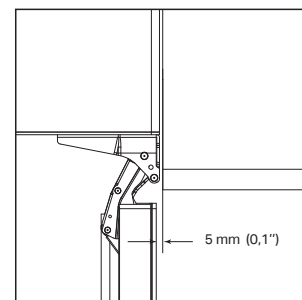
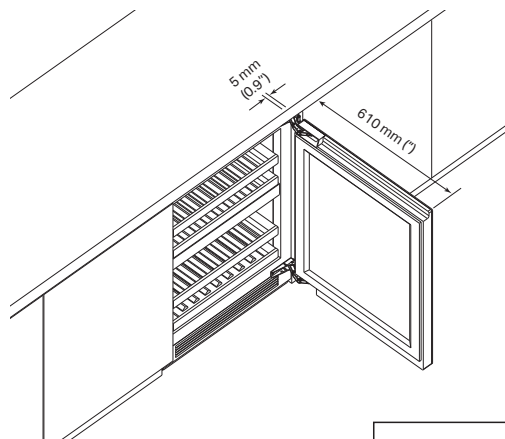
The appliance DOES NOT allow for the reversal of the hinges and, consequently, the door opening direction. Even in the case of door reversal, the clearances remain the same as indicated above.

Useful spaces for positioning the handle on adjacent cabinets

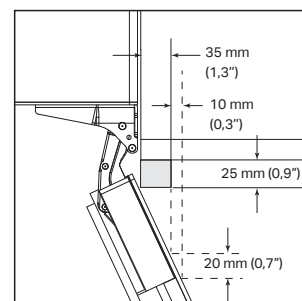
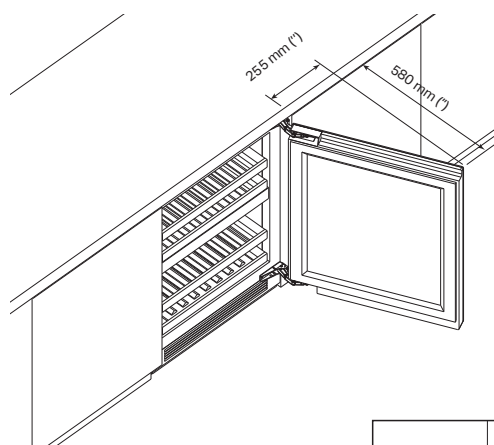
In the case of installation with a 90° door opening, the appliance door is 5 mm away from the adjacent cabinetry.

In the case of installation with a 115° door opening for the potential positioning of a protruding handle on the side adjacent to the Wine cellar, for the first 35 mm it is possible to apply a handle with a maximum height of 25 mm relative to the outer edge of the panel.

For each additional 10 mm increase in distance from the cabinet edge, it is possible to apply a handle with a length increase of 20 mm.



90° DOOR OPENING



115° DOOR OPENING