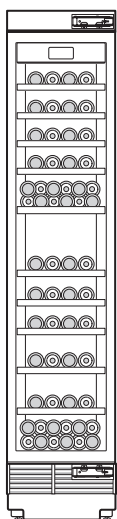
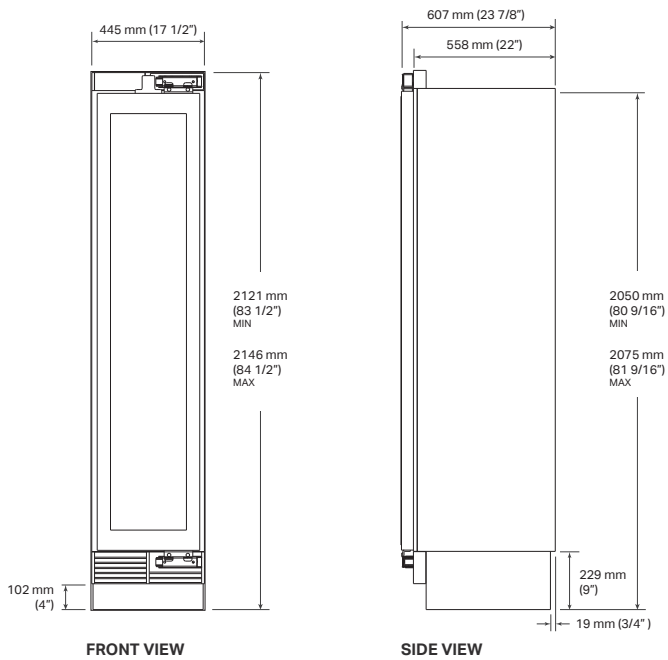


# SKSCW183RP | Integrated column wine cellar 18"

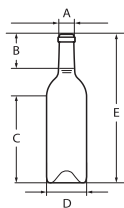


## Bottle arrangement inside the wine cellar

Maximum capacity 81 bottles\*

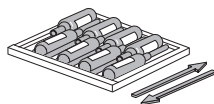
\*Maximum capacity refers to bottles with the dimensions shown

List	Dimensions (mm)
A	Ø 27,5
B	63
C	158,5
D	Ø 76,1
E	300,5



## NOTE

Alternate the front and back of the bottles on the wine rack for more secure storage.



## CUSTOM PANELS

### Paneling options

**SKSWK185RS: Stainless steel panel kit – right hinge**

**SKSWK185LS: Stainless steel panel kit – left hinge**

The appliance can be paneled with the optional SKS stainless steel door kit.

The kit includes a door panel, a toe kick, and a Long handle.

### Custom paneling

The appliance is designed to be customized with custom panels to match the kitchen cabinetry. For custom panel dimensions, please refer to the diagram and specifications below:

Door panel: 2029 mm x 451 mm

Maximum allowable panel weight: **9,5 kg**

The central part of the door is equipped with glass to allow a view inside the product. Provide a door panel with a central area cut out relative to the edges as indicated below:

Top 179.5 mm

Bottom 238 mm

Side 80.5 mm

Toe kick: 102 mm x 451 mm

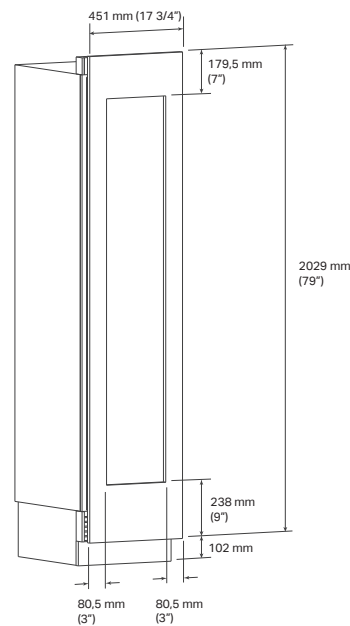
SKS brushed aluminum handles can be purchased separately as accessories in medium or long versions.

**SKSHK310HS: Medium handles for custom panels**

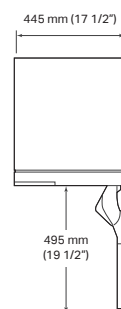
805 mm (31 11/16") Medium handle – Brushed aluminum

**SKSHK480HS: Long handles for custom panels**

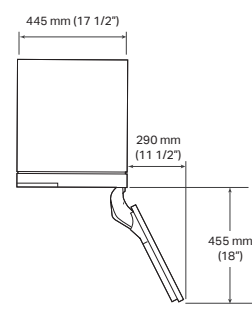
1219 mm (48") Long handle – Brushed aluminum



### Unit width without door panel



**90° DOOR OPENING**



**115° DOOR OPENING**

<b>SKSCW183RP</b>	EAN: 8806096467206
Door type	Panel ready
Hinges	Plat
Internal finish	Stainless steel
<b>Energy Label</b>	
Energy efficiency class	E
Net total capacity	275 L
Bottle Capacity (750 ml)	81
Maximum sound level	< 37 dbA Max
Yearly total energy consumption (kW/h)	165
Power consumption (W)	115
Average power consumption (W)	19
Estimated maximum power consumption (W)	75
Climate class	SN-T
<b>General Properties</b>	
No-Frost	●
Smart Inverter compressor	●
Wi-Fi enabled for SmartThinQ® control with iOS/Android app	●
InstaView™ Window (Knock Twice to See Inside)	●
Wine Cave Technology™	●
Temperature zones	2
Operating temperatures	from 5°C to 18°C
Functions that can be enabled from the control panel	Humidity, Lighting, Demo, Power On / Off, Temp Control, Smart Diagnosis™, Wi-Fi
Humidity Control	●
High Altitude Compatibility	●
Anti-vibration motor	●
UV Protection	●
Storage shelves	10
Shelf material	Natural beech wood with stainless steel profiles
Presenter Shelves	1
True-View® Lighting	●
Presenter Shelf Lighting	●
<b>Installation</b>	
Reversible Door	●
Four point front adjustable with 6 wheels	●
Attachment method to cabinetry	Top with no visible screws
Front Serviceable	●
Anti-tip Bracket Included	●
<b>Technical Specifications</b>	
Required power supply	230 V, 50 Hz
Power cord length	2197 mm (86,4")
Plug type	A 3
Overall width	445 mm (17 1/2")
Overall height	2121 mm (83 1/2") MIN ~ 2146 mm (84 1/2") MAX
Overall depth	607 mm (23 7/8")
Net weight	139 kg
Shipping weight	160 kg
Max packaged product dimensions	2290x504x678 mm
<b>Accessories</b>	
Stainless steel panel / handle / toe kick kit	SKSWK185RS (CERNIERA DESTRA, MANIGLIA SINISTRA) SKSWK185LS (CERNIERA SINISTRA, MANIGLIA DESTRA)
Side wall cover kit in case of non-flush installation	SKSFK800CS
Joining kit for dual installation	SKSFJ800P
Medium brushed Aluminium Handle – 805 mm	SKSHK310HS
Long brushed Aluminium Handle – 1,218 mm	SKSHK480HS

# SKSCW183RP | *Integrated column wine cellar 18"*

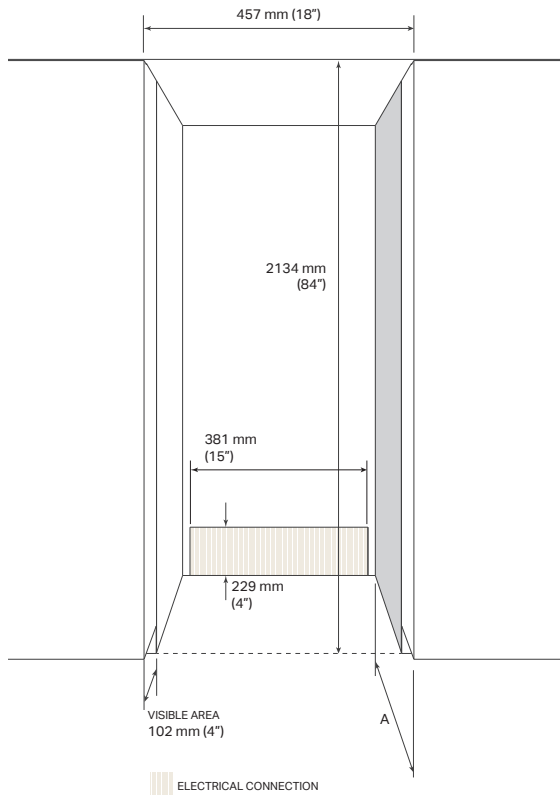
## INSTALLATION NOTES

### Electrical specifications

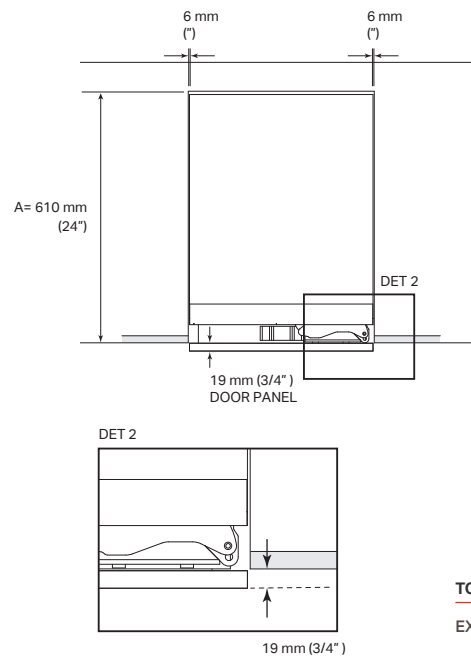
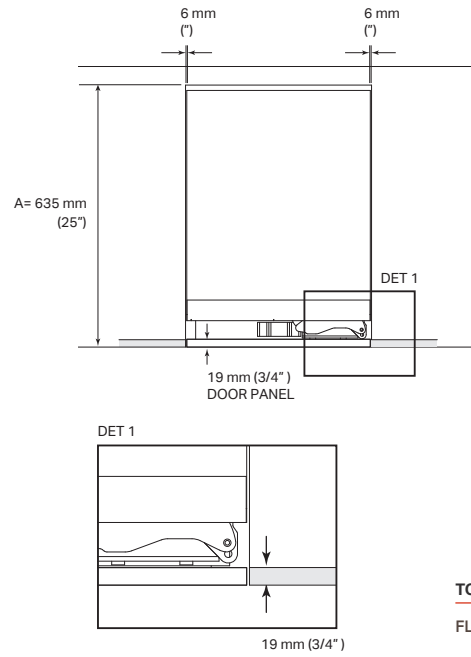
A 230V, 50Hz power supply is required. It is recommended to provide a three-pole outlet recessed in the wall and properly grounded, equipped with a dedicated circuit.

### Visible area

The indicated zone (102 mm) will be visible once the wine cellar doors are opened; plan to finish this area on both sides.



### Flush or extended installation



**INSTALLATION NOTES**

**Door clearances with flush installation**

The installation must provide clearance relative to adjacent walls or cabinetry. The factory-set door opening is 115° and can subsequently be adjusted to 90° if clearance for 115° opening is insufficient.

**ATTENTION** The clearance dimensions highlighted in the diagrams DO NOT include the depth of the handles, which must be added to these dimensions in case of a custom extended handle.

When using the SKS kit with brushed aluminum handles, the lateral clearances change as indicated:

Door at 90°: Lateral clearance from 25 mm to 95 mm

Door at 115°: Lateral clearance from 290 mm to 360 mm

The appliance offers the possibility to reverse the hinges and, consequently, the door opening direction. Even in the case of door reversal, the clearances remain the same as indicated above.



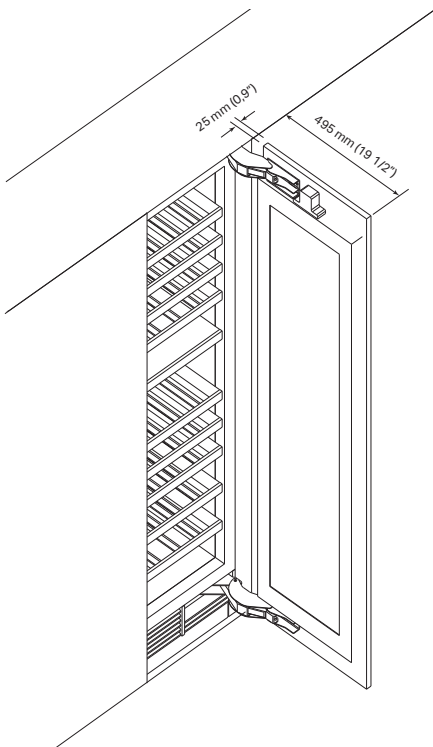
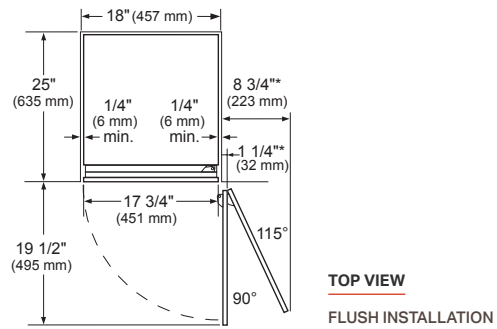
Discover more:  
**DOOR REVERSAL VIDEO**

**Useful spaces for positioning the handle on adjacent cabinets**

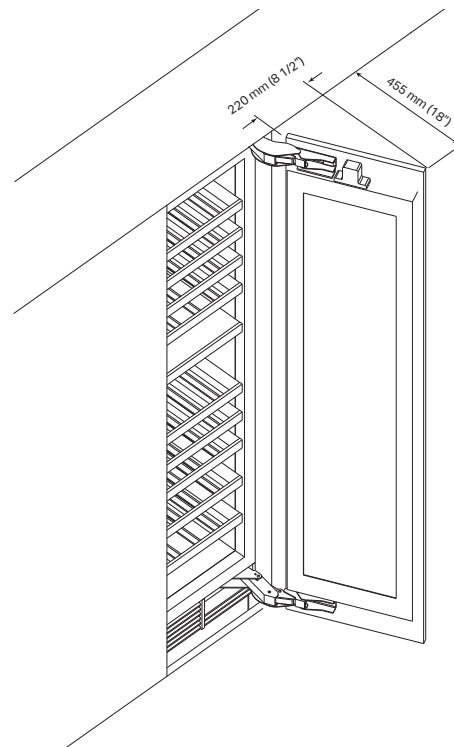
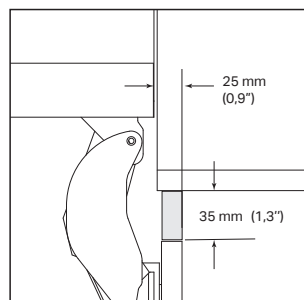
In the case of installation with a 90° door opening for the possible positioning of a protruding handle on the side adjacent to the Wine cellar, for the first 25 mm it is possible to apply a handle with a maximum height of 35 mm relative to the outer edge of the panel.

In the case of installation with a 115° door opening for the possible positioning of a protruding handle on the side adjacent to the Wine cellar, for the first 35 mm it is possible to apply a handle with a maximum height of 30 mm relative to the outer edge of the panel.

For each additional 10 mm increase in distance from the cabinet edge, it is possible to apply a handle with a length increase of 20 mm.



**90° DOOR OPENING**



**115° DOOR OPENING**

