



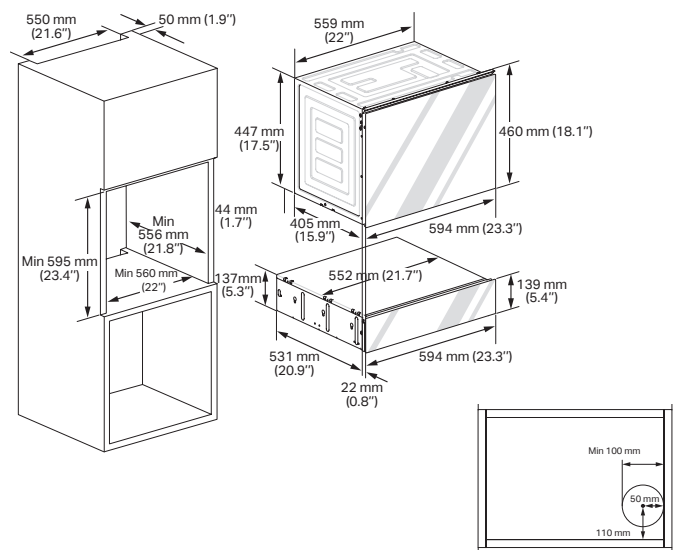
**INSTALLATION OF THE COMPACT OVEN WITH WARMING DRAWER**

**Installation in a tall cabinet**

The distance between the back of the installed oven and the wall in contact must be a minimum of 10 mm (0.4"). The kitchen cabinet in contact with the oven must be heat resistant up to 90 °C and adjacent units on the front side up to 70 °C minimum.

**Notes**

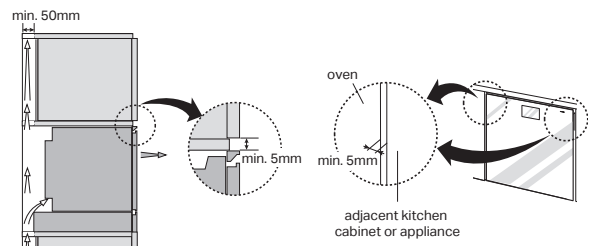
Remove the back wall of the installation cabinet. If it is difficult to remove the back wall, make a hole with a minimum diameter of 100 mm (3.94") so that the power cord of the drawer can extend beyond the back wall.



**VENTILATION**

**Notes**

For correct ventilation, a ventilation opening of 50 mm (1.97") is required between the back wall and the plan of the installation cabinet and a ventilation distance of 5 mm (1.97") between the top edge of the oven and the bottom edge of the cabinet, as well as between the edge of both sides of the oven and the cabinet. These openings must not be closed in any way. Make sure therefore that the sides do not touch the front edges of the enclosure. Connect the oven to the power supply.



<b>SKSWD2401S</b>	EAN: 8806098008780
Finish	Black glass
Temperature levels	40°C - 55°C - 70°C - 80°C
Operating indicator	●
Pre-heat dishes	●
Keep warm	●
Proof	●
Defrost	●
Cooking at low temperature	●
<b>Technical Specifications</b>	
Cavity size	19 l
Power consumption kW	0.45
Circuit breaker	20 A
Required power supply	230 V, 50 Hz
Plug type	F Type
Power supply type	Electrical
Overall width	594 mm
Overall height	139 mm
Overall depth	531 mm
Net weight	18 kg