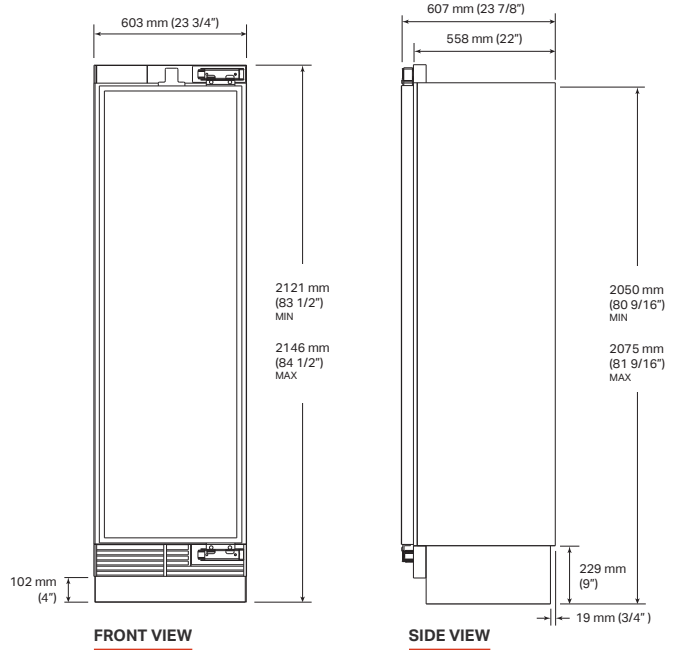


SKSCF2431P | Integrated column freezer 24"



CUSTOM PANELS

Paneling options

SKSPK245CS: Stainless steel panel kit

The appliance can be paneled with the optional SKS stainless steel door kit.

The kit includes a door panel, a kick plate, and a Long handle.

The kit is reversible and can be used for both right and left-hand door swing installations

Custom paneling

The appliance is designed to be customized with custom panels to match the kitchen cabinetry.

For custom panel dimensions, please refer to the diagram and specifications below:

Door panel: 2029 mm x 603 mm

Maximum allowable panel weight: **24 kg**

Kick plate: 102 mm x 603 mm

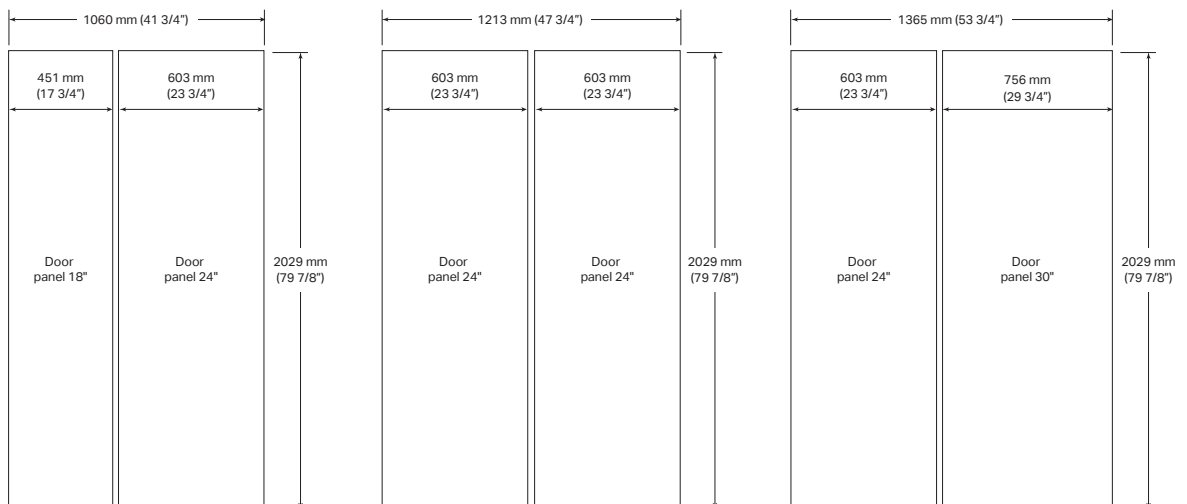
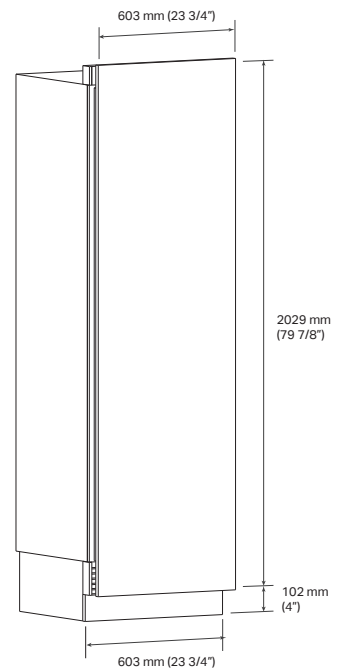
SKS brushed aluminum handles can be purchased separately as accessories in medium or long versions.

SKSHK310HS: Medium handles for custom panels

805 mm (31 11/16") Medium handle – Brushed aluminum

SKSHK480HS: Long handles for custom panels

1219 mm (48") Long handle – Brushed aluminum



CUSTOM PANEL DIMENSIONS

SKSCF2431P	EAN: 8806096650837
Door type	Panel ready
Hinges	Plat
Internal finish	Stainless steel
Energy Label	
Energy efficiency class	E
Net total capacity	396 L
Maximum sound level	< 39 dbA Max
ENERGY STAR® Qualified	●
Yearly total energy consumption (kW/h)	378
Average power consumption (W)	43
Estimated maximum power consumption (W)	170
Climate class	SN-T
Classification	****
General Properties	
No-Frost	●
Smart Inverter compressor	●
Wi-Fi enabled for SmartThinQ® control with iOS/Android app	●
Automatic Adaptive Defrost	●
Functions that can be enabled from the control panel	Water Filter, Ice Plus, Ice On/Off, Door Alarm, Wi-Fi, Power On/Off, Demo, Smart Diagnosis™, Temp control
Speed Freeze	●
Connection to the water supply	●
Water Filter (6 Months)	●
Storage shelves	3 adjustable and removable
True-View® Lighting	●
Lift and Go™ ice drawer	1 with telescopic guides and soft closing
Lift and Go™ storage drawers	2 with telescopic guides and soft closing
Aluminium door bins with removable inserts	4 cantilever
Removable ice bucket capacity	2.3 kg
Digital Controls w/ White LED Display	●
Water Filter Indicator	●
Ice production (24 Hours)	1.6 kg
Ice On / Off	●
Operating temperatures	from -24°C to -16°C
Installation	
Reversible Door	●
Four point front adjustable with 6 wheels	●
Attachment method to cabinetry	Top with no visible screws
Front Serviceable	●
Anti-tip Bracket Included	●
Unification Kit Included (SKSFJ800P)	●
Technical Specifications	
Required power supply	230 V, 50 Hz
Power cord length	2200 mm (86,6")
Overall width	603 mm (23 3/4")
Overall height	2121 mm (83 1/2") MIN ~ 2146 mm (84 1/2") MAX
Overall depth	607 mm (23 7/8")
Net weight	159 kg
Shipping weight	180 kg
Max packaged product dimensions	2290x663x678 mm (90"x25"x26")
Accessories	
Stainless steel panel / handle / toe kick kit	SKSPK245CS
Side wall cover kit in case of non-flush installation	SKSFK800CS
Joining kit for dual installation	SKSFJ800P
Medium brushed Aluminium Handle – 805 mm	SKSHK310HS
Long brushed Aluminium Handle – 1,218 mm	SKSHK480HS
Replacement water filter	LT1000P-S

SKSCF2431P | Integrated column freezer 24"

INSTALLATION NOTES

Electrical specifications

A 230V, 50Hz power supply is required. It is recommended to provide a three-pole outlet recessed in the wall and properly grounded, equipped with a dedicated circuit.

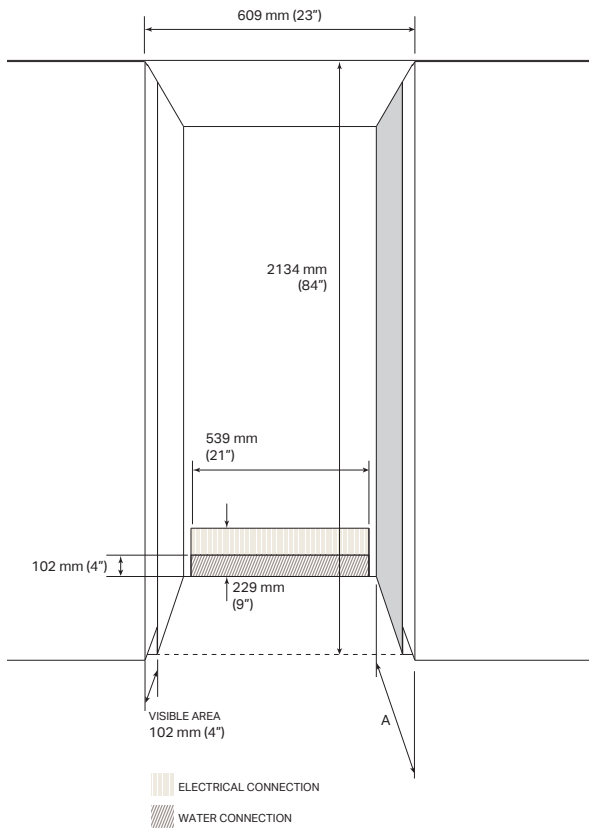
Water connection

A connection to the water supply is required with pressure between 1.37 and 8.27 bar (20 and 120 psi). It is recommended to provide a dedicated shutoff valve for the circuit, not positioned directly behind the product for easier accessibility, and tubing (Max Ø 9.5 mm) with a length suitable to reach the front of the refrigerator approximately 355 mm from the cabinet door face. A maximum clearance of 40 mm from the bottom of the recess is available for the water connection.

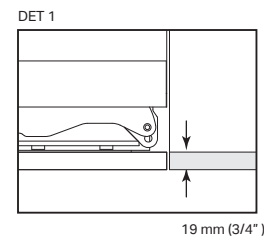
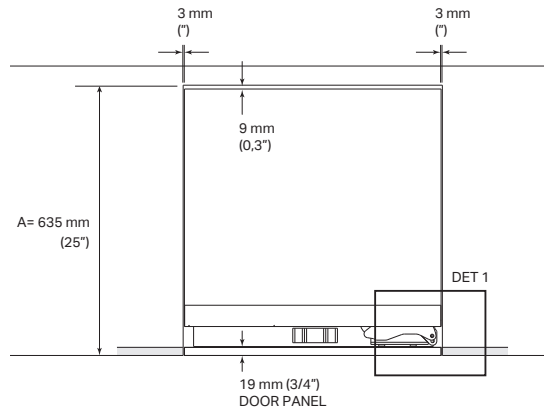
Visible area

The indicated zone (102 mm) will be visible once the freezer doors are opened; plan to finish this area on both sides.

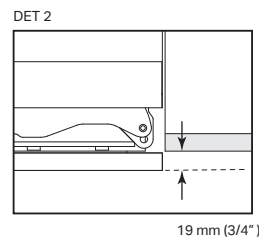
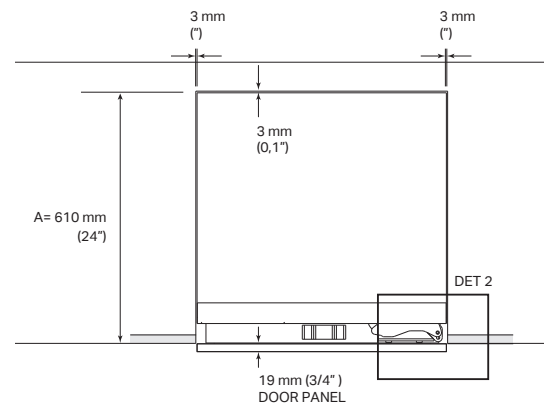
In case of non-flush installation, we recommend using the **SKSFK800CS** accessory, which consists of side panels that cover any visible side parts of the appliance.



Flush or extended installation



TOP VIEW
FLUSH INSTALLATION



TOP VIEW
EXTENDED INSTALLATION

INSTALLATION NOTES

Door clearances with flush installation

The installation must provide clearance relative to adjacent walls or cabinetry. The factory-set door opening is 115° and can subsequently be adjusted to 90° if clearance for 115° opening is insufficient.

ATTENTION The clearance dimensions highlighted in the diagrams DO NOT include the depth of the handles, which must be added to these dimensions in case of a custom extended handle.

When using the SKS kit with brushed aluminum handles, the lateral clearances change as indicated:

Door at 90°: Lateral clearance from 25 mm to 95 mm

Door at 115°: Lateral clearance from 290 mm to 360 mm

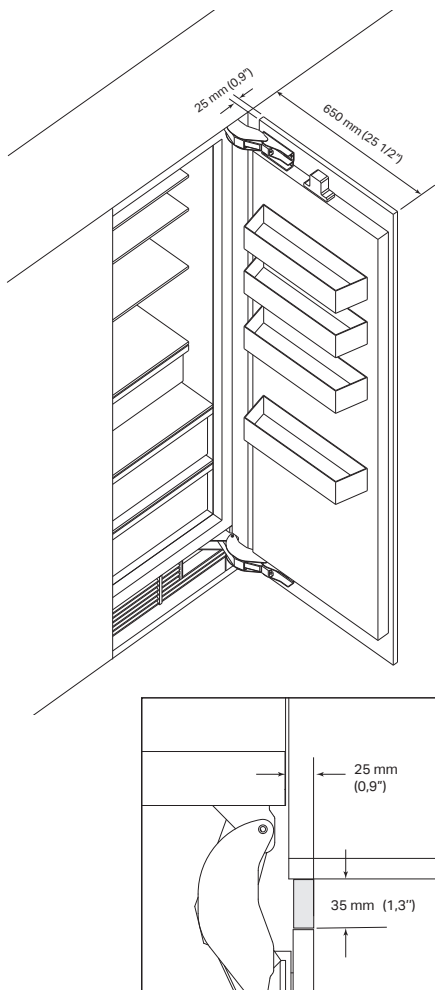
Useful spaces for positioning the handle on adjacent cabinets

In the case of installation with a 90° door opening for the possible positioning of a protruding handle on the side adjacent to the 24" Column Freezer, for the first 25 mm it is possible to apply a handle with a maximum height of 35 mm relative to the outer edge of the panel.

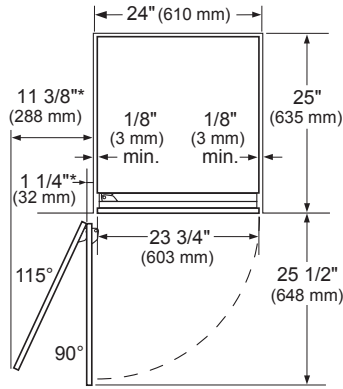
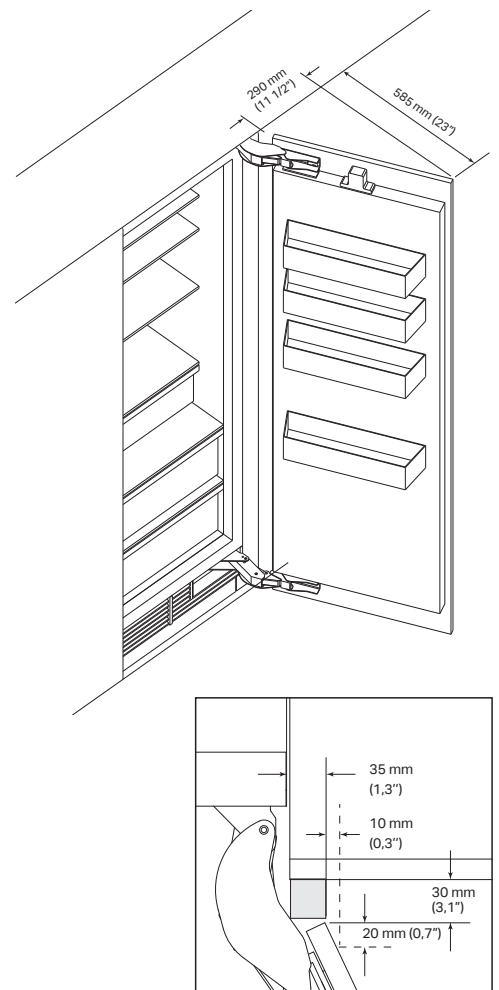
In the case of installation with a 115° door opening for the possible positioning of a protruding handle on the side adjacent to the 24" Column Freezer, for the first 35 mm it is possible to apply a handle with a maximum height of 30 mm relative to the outer edge of the panel.

For each additional 10 mm increase in distance from the cabinet edge, it is possible to apply a handle with a length increase of 20 mm.

90° DOOR OPENING



115° DOOR OPENING



TOP VIEW

FLUSH INSTALLATION