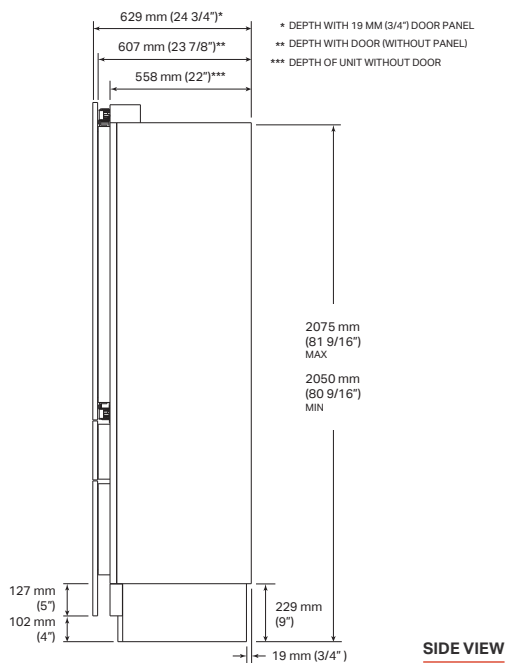
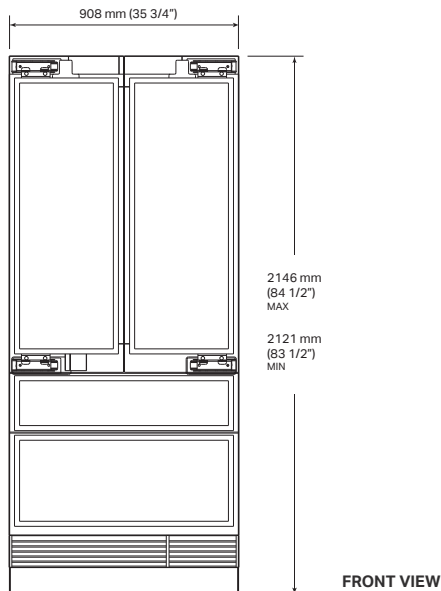


SKSFD3634P | Integrated French Door refrigerator/freezer 36"



CUSTOM PANELS

Paneling options

SKSPK360FS: Stainless steel panel kit

The appliance can be seamlessly integrated using the optional SKS Stainless Steel Panel Kit. The comprehensive kit includes: two panels for the refrigerator compartment doors (A), one panel for the convertible drawer (B), one panel for the freezer drawer (C), a matching toe kick and four ergonomic handles.

Bespoke custom paneling

This unit is specifically engineered to accommodate bespoke custom cabinetry panels, ensuring a unified aesthetic with the kitchen's architectural design. Please refer to the following dimensions and weight allowances for custom fabrication:

A - Refrigerator door panels: 1254 mm x 452 mm

Max. weight allowance: **15 kg** per panel

B - Convertible drawer panel: 233 mm x 908 mm

Max. weight allowance: **10 kg** per panel

C - Freezer drawer panel: 533 mm x 908 mm

Max. weight allowance: **15 kg** per panel

Toe kick: 102 mm x 908 mm

A standard 4 mm reveal (gap) is required between all panels for optimal alignment.

Design recommendations

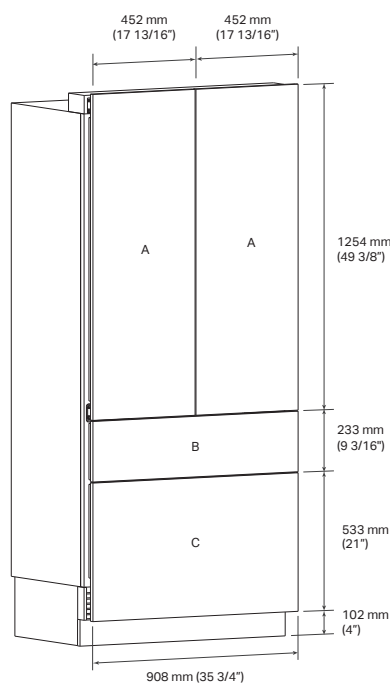
SKS handles are available for separate purchase as refined accessories in brushed aluminum, offered in Medium or Long versions to suit your aesthetic preference.

SKSHK310HS: Bespoke Medium handle

805 mm (31 11/16") Medium handle – Brushed aluminum

SKSHK480HS: Bespoke Long handle

1219 mm (48") Long handle – Brushed aluminum



SKSFD3634P	EAN: 8806096575888
Door type	Panel ready
Hinges	Plat
Internal finish	Stainless steel
Energy Label	
Energy efficiency class	E
Total net capacity	545 L
Net refrigerator capacity	383 L
Net freezer capacity	104 L
Net convertible drawer capacity	58 L
Maximum noise level	< 39 dbA Max
ENERGY STAR® Qualified	●
Yearly total energy consumption (kW/h)	411
Average power consumption (W)	47
Estimated maximum power consumption (W)	185
Climate class	SN-T
Freezer class	****
General Propertie	
No-Frost	●
Smart Inverter compressor	●
2 Independent cooling systems	2 compressors
Wi-Fi enabled for SmartThinQ® control with iOS/Android app	●
Automatic Adaptive Defrost	●
Functions that can be enabled from the control panel	Water Filter, Ice Plus, Ice On/Off, Door Alarm, Wi-Fi, Power On/Off, Demo, Smart Diagnosis™, Temp control
Speed Chill	●
Integrated Water Dispenser	●
Connection to the water supply	●
Water Filter (6 Months)	●
Full-Extension freezer storage drawer	Soft closing
Convertible drawer modes	Freezer, Refrigerator, Meat and Seafood (-1°C), Cold Drinks (1°C), Deli fridge (3°C), Chilled Wine (5°C)
Convertible drawer dividers	2
Storage shelves	2 cantilever adjustable, 1 fixed
Drawer design	2 with telescopic guides and soft closing
True-View® Lighting	●
Aluminium door bins with removable inserts	6
Removable ice bucket capacity	2,3 kg
Digital Controls w/ White LED Display	●
Water Filter Indicator	●
Ice production (24 Hours)	1.6 kg
Ice On / Off	●
Operating temperatures	Refrigerator: 0°C to 6°C / Convertible drawer with 5 temperature modes Freezer drawer: -24°C to -16°C
Installation	
Four Point Front Adjustable with 4 Wheels	●
Attachment method to cabinetry	Top with no visible screws
Front Serviceable	●
Anti-tip Bracket Included	●
Technical Specifications	
Required power supply	230 V, 50 Hz
Power cord length	2200 mm (86,6")
Overall width	908 mm (35 3/4")
Overall height	2121 mm (83 1/2") MIN ~ 2146 mm (84 1/2") MAX
Depth with door panel	629 mm (24 3/4")
Net weight	250 kg
Shipping weight	255 kg
Max packaged product dimensions	2290x968x678 mm (90"x38"x26")
Accessories	
Stainless steel panel / handle / toe kick kit	SKSPK360FS
Side wall cover kit in case of non-flush installation	SKSFK800CS
Joining kit for dual installation	SKSFJ800P
Medium brushed Aluminium Handle – 805 mm	SKSHK310HS
Long brushed Aluminium Handle – 1,218 mm	SKSHK480HS
Replacement water filter	LT1000P-S

SKSFD3634P | Integrated French Door refrigerator/freezer 36"

INSTALLATION NOTES

Electrical specifications

A power supply of 230V, 50Hz is required. It is recommended to provide a dedicated outlet with a ground fault circuit interrupter.

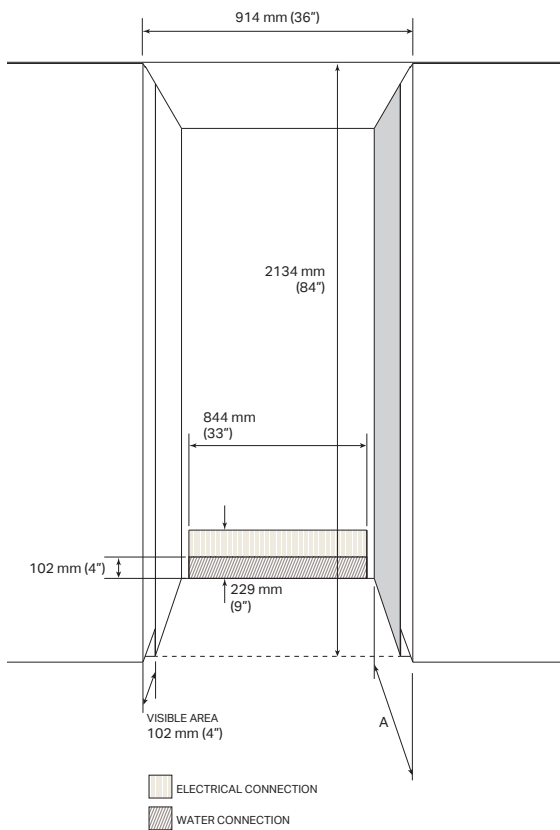
Water connection

A connection to the water supply is required with pressure between 1.37 and 8.27 bar (20 and 120 psi). It is recommended to provide a dedicated shutoff valve for the circuit, not positioned directly behind the product for easier accessibility, and tubing (Max Ø 9.5 mm) with a length suitable to reach the front of the refrigerator approximately 355 mm from the cabinet door face. A maximum clearance of 40 mm from the bottom of the recess is available for the water connection

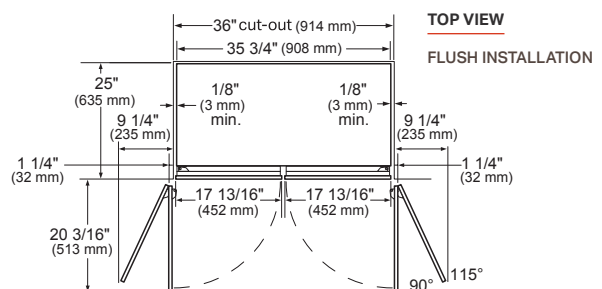
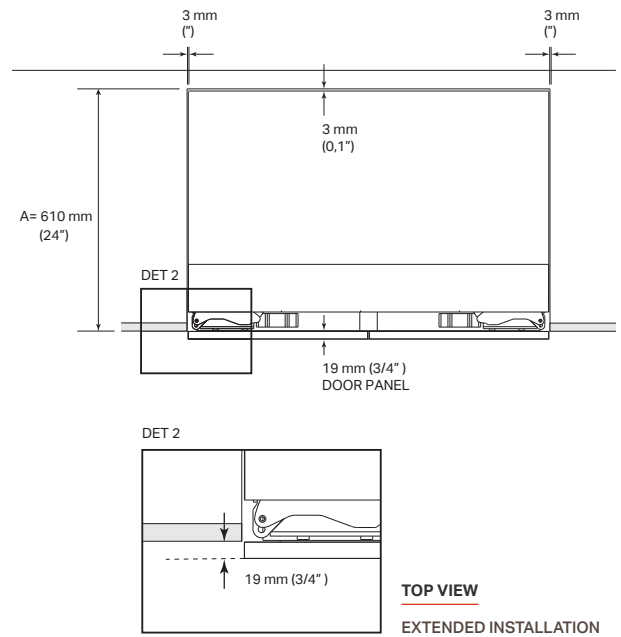
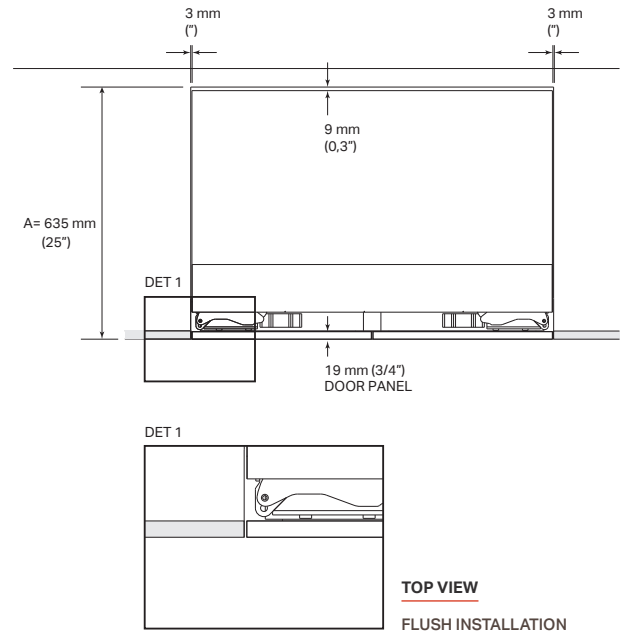
Visible area

The indicated area (102 mm) is visible once the refrigerator doors are opened, plan to finish this area on both sides.

In case of non-flush installation, we recommend using the **SKSFK800CS** accessory, which consists of side panels that cover any visible side parts of the appliance.



Flush or extended installation



INSTALLATION NOTES

Door clearances with flush installation

The installation must provide clearance relative to adjacent walls or cabinetry. The factory-set door opening is 115° and can subsequently be adjusted to 90° if clearance for 115° opening is insufficient.

ATTENTION The clearance dimensions highlighted in the diagrams DO NOT include the depth of the handles, which must be added to these dimensions in case of a custom extended handle.

When using the SKS kit with brushed aluminum handles, the lateral clearances change as indicated:

Door at 90°: Lateral clearance from 25 mm to 95 mm

Door at 115°: Lateral clearance from 235 mm to 305 mm

Useful spaces for positioning the handle on adjacent cabinets

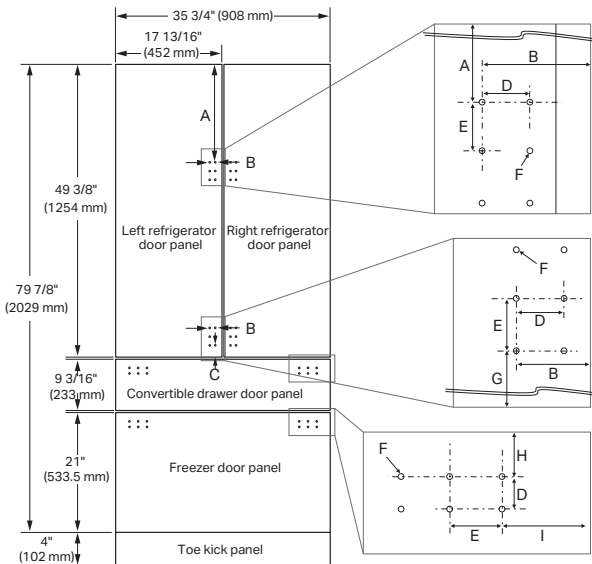
In the case of installation with 90° door opening for possible positioning of a protruding handle on the side adjacent to the refrigerator, for the first 25 mm it is possible to apply a handle with a maximum height of 35 mm relative to the outer surface of the panel.

In the case of installation with 115° door opening for possible positioning of a protruding handle on the side adjacent to the refrigerator, for the first 35 mm it is possible to apply a handle with a maximum height of 30 mm relative to the outer surface of the panel.

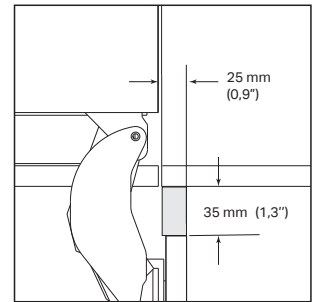
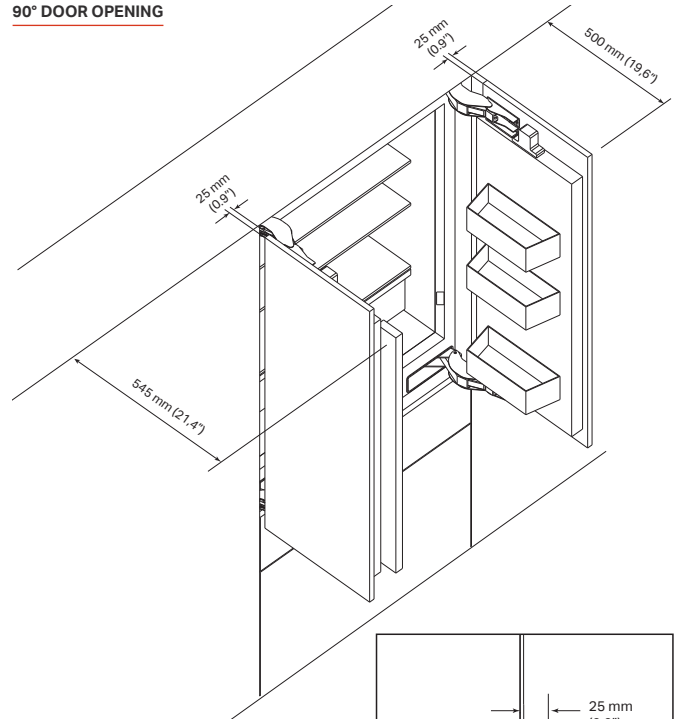
For each additional 10 mm increase in distance from the cabinet edge, it is possible to apply a handle with a length increase of 20 mm.

HANDLE POSITION

Professional Handle



90° DOOR OPENING



115° DOOR OPENING

