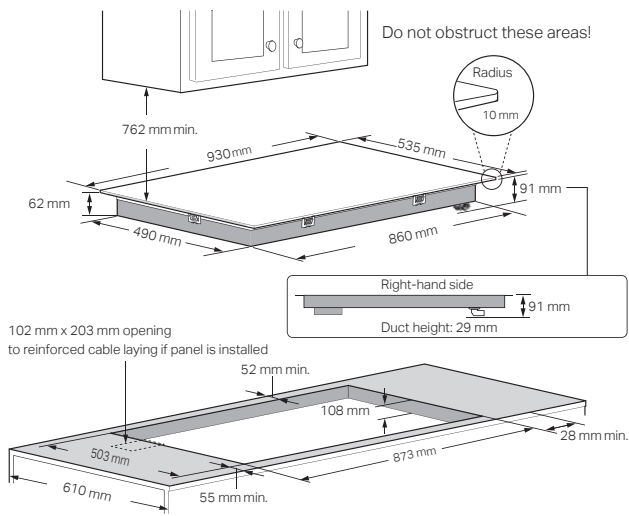


SKSIT3621MS | Flex induction hob Silver

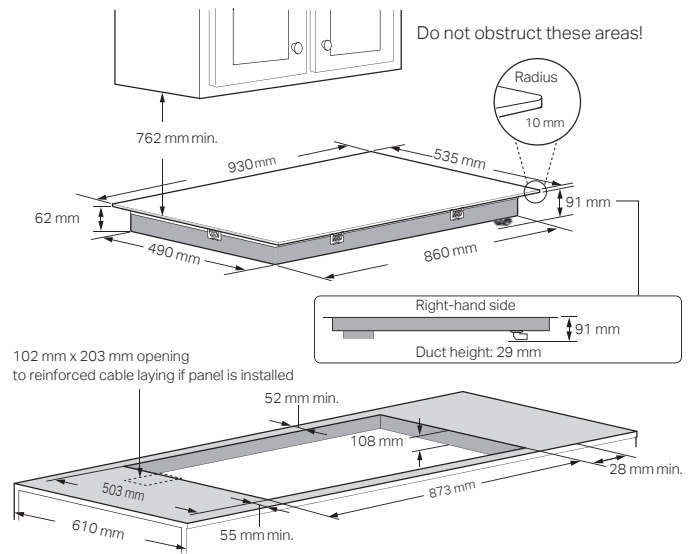


INSTALLATION DIMENSIONS - STANDARD INSTALLATION

93 cm induction hob



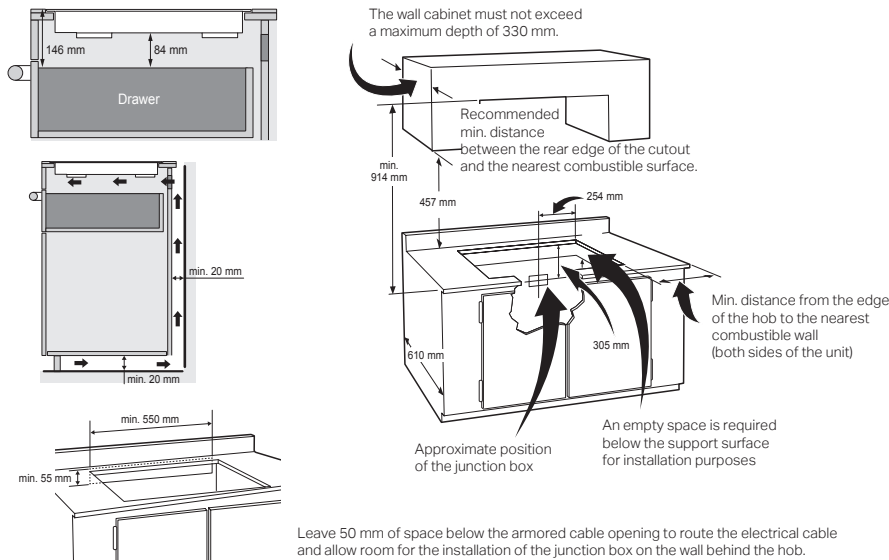
INSTALLATION DIMENSIONS - FLUSH INSTALLATION



INSTALLATION NOTES

Recommended space between the cooktop and the drawer

WARNING: It is very important to maintain a distance of 84 mm between the cooktop and the drawer.



SKSIT3621MS	EAN: 8806084782373
Standard / flush	Standard / flush
Finish	Metallic Silver
General Properties	
Commands	7" TFT LCD Display
Logo print	Soft Printing under glass
Wi-Fi enabled for SmartThinQ® Control with iOS/Android App	●
Cooking indicator light (red)	●
Simmer	●
Melt	●
Boost	●
Number of power levels	17
Cleaning lock	●
Display brightness management	5 levels
Clock	●
Automatic detection of pots and pans	●
Timer	●
Cooking zones	
Power of the right & left front flex zone	1,700 W
Power of right & left front flex zone (Boost mode)	3,400 W
Power of right and left rear flex zone	1,700 W
Power of right & left rear flex zone (Boost mode)	3,400 W
Power of full right and left flex zone	3,300 W
Power of full right and left flex zone (Boost mode)	3,650 W
Power of dual centre zone	3,400 W
Power of dual centre zone (Boost mode)	6,800 W
Dimensions of front right flex zone	21.5 x 18.0 cm
Dimensions of front left flex zone	21.5 x 18.0 cm
Dimensions of rear right flex zone	21.5 x 18.0 cm
Dimensions of rear left flex zone	21.5 x 18.0 cm
Dimensions of full right and left flex zone	21.5 x 36.0 cm
Dimensions of dual centre zone	ø 28.0 cm
Energy Consumption	
Energy consumption of front left flex zone	171.3 Wh/kg
Energy consumption of front right flex zone	173.8 Wh/kg
Energy consumption of rear left flex zone	169.3 Wh/kg
Energy consumption of rear right flex zone	174.0 Wh/kg
Energy consumption of Dual zone Center	163.2 Wh/kg
Energy consumption of the hob calculated per kg	170.3 Wh/kg
Technical Specifications	
Hob type	Integrated hob
Heating technology	Induction cooking zones and cooking zones
Number of zones and/or cooking areas	5
Power consumption	10,200 W
Circuit breaker	50 A
Required power supply	230 V~, 50 Hz
Plug type	No Plug
Connection	1630 mm flexible 3-wire cable in the conduit
Energy	Electrical
Whole appliance size (H x W x D)	91 x 930 x 535 mm
Required cutout size (H x W x D)	146 x 873 x 503 mm
Minimum distance from front counter	55 mm (2.1")
Minimum distance from rear wall	52 mm (2")
Net weight	22.9 kg
Shipping Weight	26.6 kg
Consumption in Standby mode	0.5 W