

SKSLV2421MS | Silver combi steam oven with microwave



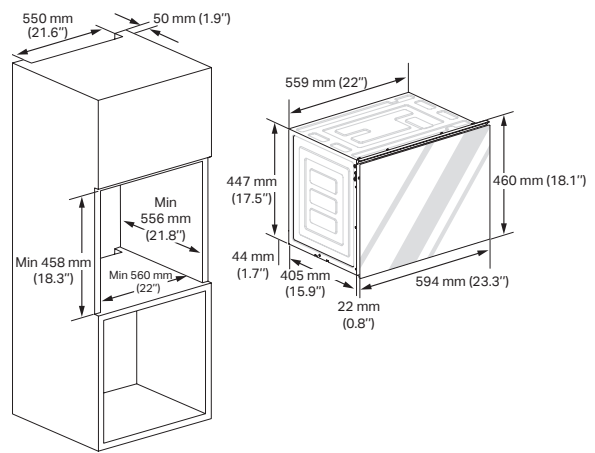
INSTALLATION WITHOUT A WARMING DRAWER

Installation in a tall cabinet

The distance between the back of the installed oven and the wall in contact must be a minimum of 10 mm (0.4"). The kitchen cabinet in contact with the oven must be heat resistant up to 90 °C and adjacent units on the front side up to 70 °C minimum.

Notes

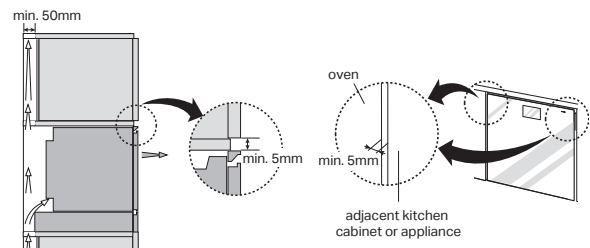
Remove the back wall of the installation cabinet. If it is difficult to remove the back wall, make a hole with a minimum diameter of 100 mm (3.94").



VENTILATION

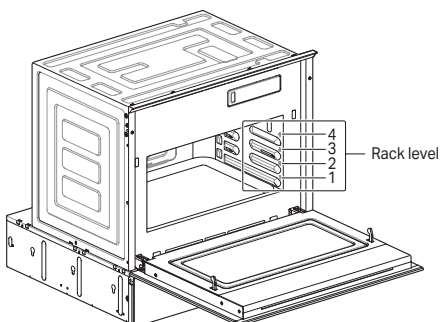
Notes

For correct ventilation, a ventilation opening of 50 mm (1.97") is required between the back wall and the plan of the installation cabinet and a ventilation distance of 5 mm (1.97") between the top edge of the oven and the bottom edge of the cabinet, as well as between the edge of both sides of the oven and the cabinet. These openings must not be closed in any way. Make sure therefore that the sides do not touch the front edges of the enclosure. Connect the oven to the power supply.



USING THE SUPPLIED OVEN TRAYS

The oven levels are numbered from bottom to top. Level 4 is used for grilling functions.



Included Accessories



Metal tray
Use at level 1, 2, 3, do not use at level 4



Rack
Use on the base of the oven cavity or on the Metal tray



Crisping tray
Use only at level 4; not for use in microwave mode

SKSLV2421MS	EAN: 8806084782427
Interior coating	Steel
Display	LCD TFT colour 7"
Wi-Fi enabled for SmartThinQ® control with iOS/Android app	●
Cook Mode	Microwave, Hot air, Static, Roasting, Auto Roast, Pizza, Grill, Crispy Grill, Defrost, Bottom Heat, Steam-assist
Microwave combi cooking mode	Hot Air, Roasting, Auto Roast, Grill, Steam assist
"Gourmet Chef" automatic programs	30
Automatic opening handle-less door	●
Soft Open	●
Motion Sensor	●
Mood light (red)	●
Microwave Inverter	●
Microwave cooking power	1000 W
External steam generation	●
Descaling	●
Drying	●
Water tank capacity	1 L
LED Interior Lighting	●
Speed clean	●
Door material	Opaque glass
Accessories included	Metal pan / Perforated pan / Rack
Technical Specifications	
Cavity size	32 l
Power consumption kW	3,15
Circuit Breaker 20 A	16 A
Required power supply	230 V, 50 Hz
Plug type	F Type
Power supply type	Electrical
Overall height	460 mm
Overall width	594 mm
Overall depth	471 mm
Net weight	33 kg
Shipping weight	38 kg