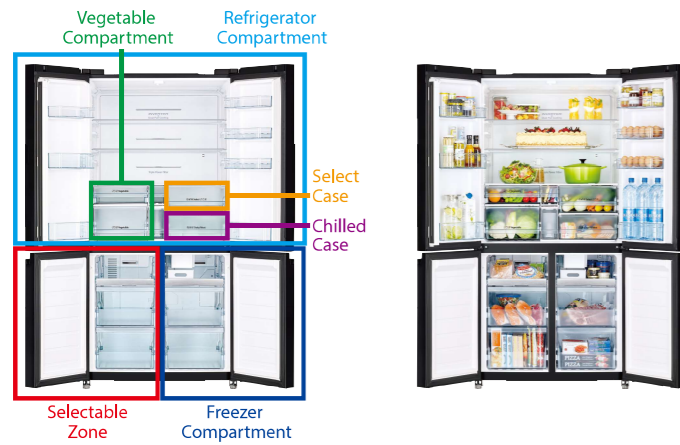


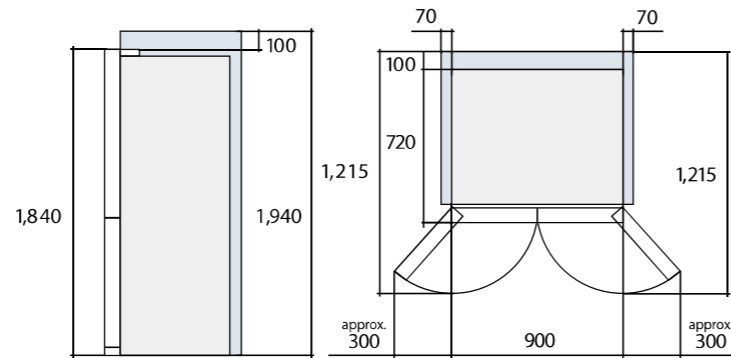
Refrigerator

R-WB640PRU1
French Bottom Freezer Standard



Dimensions (mm)

□: Space required for radiation.



Specifications

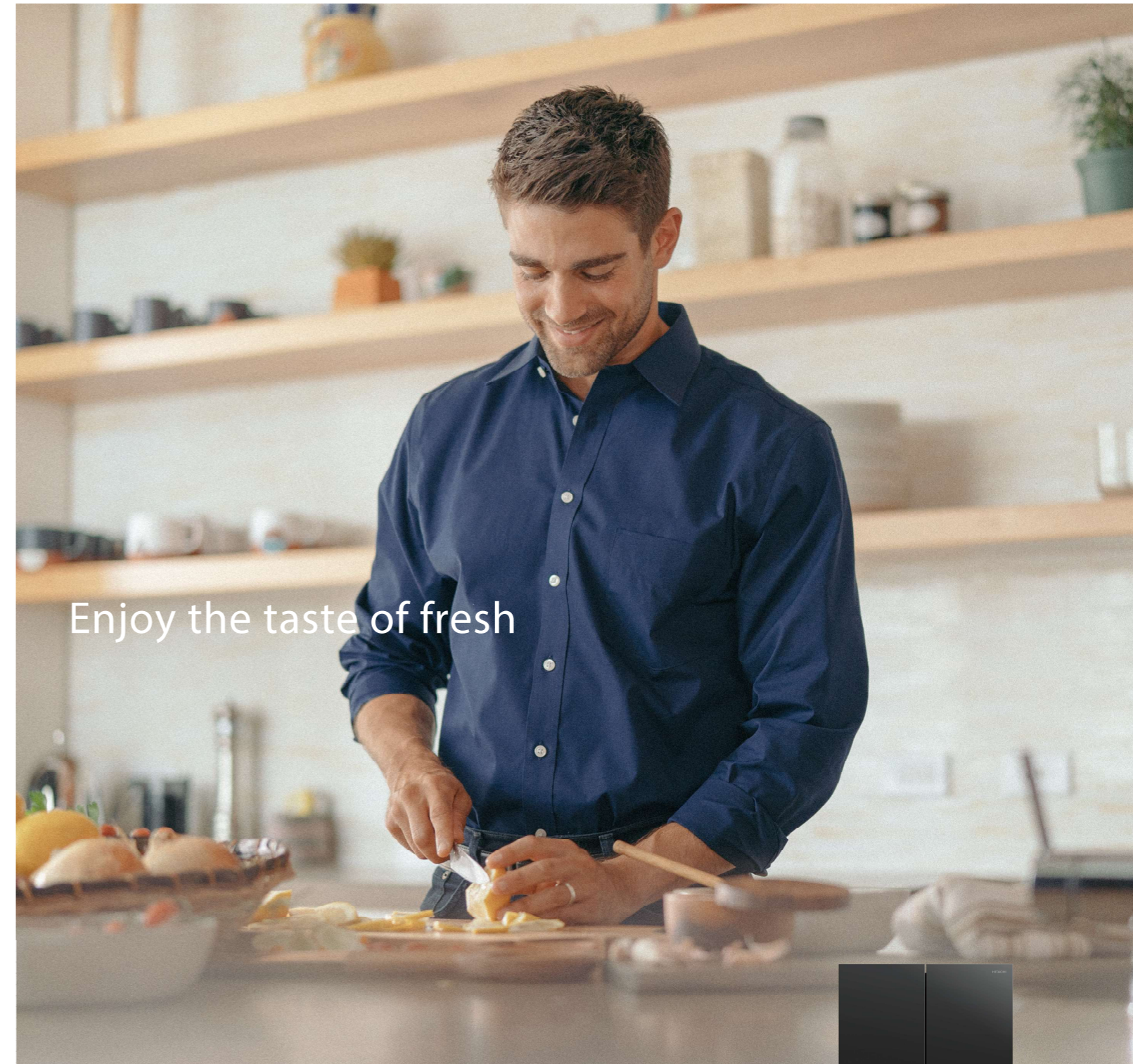
Type	French Bottom Freezer		
Door	4 Door		
Grade	Standard		
Net Capacity (L)*	Total	569	
	Refrigerator	372	
	Freezer	100	
	Selectable Zone (Soft Freeze, Freezer)	97	
Dimensions (mm)	Width	900	
	Height	1,840	
	Depth with Handle	720	
	Depth without Handle	720	
Refrigerator Compartment	Chilled Case	●	
	Select Case	● (Dry ↔Vegetable)	
	Utility Case	●	
	Tempered Glass Shelves	●	
	Door Pockets	●	
	Egg Tray	● (28 eggs)	
	LED Light	●	
	Quick Cooling	●	
	Vegetable Compartment	Separate Vegetable Compartment	●
	Freezer Compartment	Automatic Ice Maker	●
Drawers		●(2)	
Slide Tray		●(1)	
Quick Freezing		●	
Selectable Zone		● (Soft Freeze, Freezer)	
	Drawers	●(2)	
	Slide Tray	●(1)	
General Features	Water Tank with Filter	●	
	LED Control Panel	●	
	Mouldproof Door Gasket	●	
	Energy Saving Mode	●	
	Door Alarm	●	
	Triple Power Filter	●	
	Cooling Features	INVERTER × Dual Fan Cooling	●
Dual Sensing Control (with Eco Thermo-Sensor)		●	
No Frost		●	
Refrigerant R-600a		●	
Door Material	Glass		
Colour	Glass Clear Black (GCK)		

* Based on IEC 62552-3:2015 Standard Volume

UAB ACC Distribution

Raudondvario pl. 131B, LT-47191, Kaunas, Lithuania

<https://www.accdistribution.eu/>



INVERTER
×
Dual Fan Cooling

Energy Saving

Stabiliser Free

Long Cool Keeper (15 Hours)



Glass Clear Black (GCK)

Customise for Your Lifestyle

Selectable Zone

Flexible Selectable Zone storage lets you customise from two temperature modes based on your lifestyle and storage needs.

Time Shortening

Soft Freeze, approx. -3°C
Suitable for when you cannot spare much time for cooking. You can easily cook items immediately without the need to defrost.



Cooking Immediately Is Now a Breeze



Easy Cutting
Softly frozen foods are easy to slice.



Easy to Prepare Portions
Just take the amount you need.



Cook Immediately
Cook without the need to defrost the food.

Extra Storage for Bulk Shopping

Freezer, approx. -18°C to -20°C
When you want extra storage for your bulk shopping, or extra storage to separate frozen savoury food from ice cream and ice, this additional storage option makes it possible.



Automatic Ice Maker

Always Ready, Easy Ice Making

No more worries about stocking up ice for your favourite beverage, daily home cooking, and occasional home gatherings.



Clean Ice Automatically Made for You

Ice cubes can be made automatically and continuously by simply filling the filtered tank with water. When you want to make ice quickly, switch the Quick Freezing mode ON, which can make the ice approximately 24%*1 faster.



Premium Design

The sleek, refined flat doors seamlessly blend into your home interior for an elegant, harmonious look.



Glass Clear Black (GCK)

Fresh Vegetables with Organised Storage

Separate Vegetable Compartments

For long-lasting freshness, each of the cases maintains the moisture of the food at an optimal level of approximately 90%*2 with indirect cooling. The separate compartments in different sizes also help to easily organise various types of fruits and vegetables.



Optimal Storage

Select Case (Dry Food – Vegetable)

Select based on your storage needs. Suitable for preserving dry food or vegetables.



Other Features



Powerful Deodorisation

Triple Power Filter
The Triple Power Filter removes odours components*3 and removes bacteria attached to the filter by 99%*4.



Quick Cooling

When you want to cool quickly and powerfully, switch the Quick Cooling mode ON, which cools approximately 27%*5 faster.



Big Yet Easy to Use

The often-used refrigerator compartment is positioned at the top for easy use and offers a wide field of vision. Even when a lot of food is stored, with the neat storage compartment, a glance is all you need to see everything, so it's easy to put in and take out items.

*1 Tested by Hitachi. Comparison between Quick Freezing mode ON and OFF.

*2 Tested by Hitachi. Differs depending on the amount and type of vegetables.

*3 The Triple Power Filter catches and removes seven odour components. (Tested by Hitachi. Types of odours: Methyl Mercaptan, Ammonia, Acetaldehyde, Trimethylamine, Propanal, Hexanal and Acetic Acid.)

*4 Thus it also provides a sterilising effect. Combining the properties of Activated Carbon, Zeolite and Manganese Oxide (catalyst), the filter greatly reduces the percentage of odours present over time. Testing organisation: Boken Quality Evaluation Institute. Testing method: Film adhesion method (JIS Z 2801). Name of processing component: Filter. Sterilisation method: Application of oxidation catalyst to filter. Subject: Bacteria trapped in filter. Test results: 99% sterilised after 24 hours, achieved using the filter alone. No effect on the environment and food inside the refrigerator.

*5 Tested by Hitachi. Comparison between Quick Cooling mode ON and OFF.

*Images are for illustrative purposes only.