

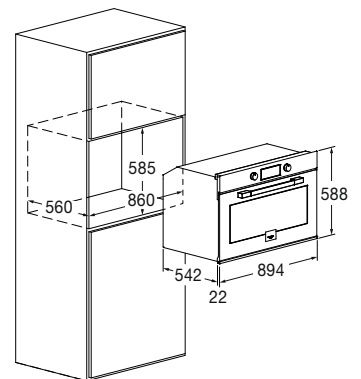


XXL 90 Multifunction Oven

FUO 9609 MT MBK



- Matte Black Metal finish
- Metal knobs
- 9 functions
- Digit Timer (on-off) | Knobs
- Ventilation cooking
- Soft Closing
- Telescopic rails
- 3-pane glass cool-touch door
- Energy Class A



Features

This product stands out for its classic user-friendly knob control completed with a functional digital display. The various timing functions are easy to set and clearly intelligible. The URBANTECH oven reveals a unique, pleasant, essential design that doesn't go unnoticed. It features a 105 l ultra black enamelled cooking chamber. Moreover, it's fitted with an efficient safety system, including tangential cooling ventilation.

This product comes with the following accessories: set of fully removable telescopic rails, enamelled tray, flat rack, and rotisseries kit.



MATTE BLACK METAL
FUO 9609 MT MBK
EAN 8019801031252

URBANTECH

MULTIFUNCTION OVEN 90



FUO 9609 MT MBK	
Type	Multifunction
Finish	Matte Black Metal
Interiors: enamelled / other	Black
FEATURES	
Efficiency class	A
Capacity (litres)	100 L
Forced cooling	•
Functions no.	9
PERFORMANCE	
Max cooking temperature	250 °C
Assisted cleaning (CLEAN)	•
CONTROLS	
Control type	Digital timer + Knobs
Auto power off	•
SAFETY	
Safe door / no. of glass panes	• / 3
SOFT-CLOSING DOOR	•
ACCESSORIES	
Lighting (Halogen, 20 W) no.	2
Set of telescopic rails no.	1
Trays no. / type	1 / enamelled
Flat racks no. / rotisserie kit	1 / •
POWER RATING	
Max electrical power (W)	3500 W
Voltage / Frequency (V - Hz)	220 - 240 V; 50 - 60 Hz
Power cord / Plug	• / Schuko
DIMENSIONS	
Dim. Product (W x H x D) mm	894 x 588 x 564
Built-In Cut Out (W x H x D) mm	860 x 585 x 560