

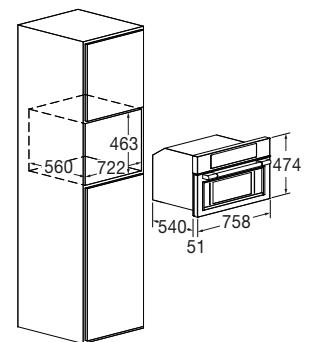


## Combi 30" Steam Oven

FPCSO 300 TEM X



- Stainless steel finish
- 12 cooking functions
- AirFry (oven-frying) function
- Steam recovery cycle
- Combined cooking mode
- CLEAN assisted cleaning cycle
- Stainless steel interior



## Features

The Professional product line, dedicated to the built-in, offers to the most demanding customers the possibility of placing products in columns, combining, for example, the products of the same line; such as, the 30" oven, steam oven, microwave and warming drawer, allowing thus obtaining extraordinary aesthetic and cooking results. The steam oven has 12 cooking functions, among which we mention, for example, the combined cooking capacity, combined cooking modes and AirFry cooking. The digital control allows the use of predefined cooking modes as well as the ability to create new recipes. The standard accessories include a meat probe, a rack and a stainless-steel tray.



STAINLESS STEEL  
FPCSO 300 TEM X  
EAN 8019801031153

# PROFESSIONAL

30" OVENS



FPCSO 300 TEM X	
Type	Combined Steam
Finish	Stainless Steel
Temperature regulation	Electronic
<b>FUNCTIONS</b>	
AirFry (oven-frying)	•
Microwave / Steam cooking	- / •
Steam heating	•
Microwave / steam convection oven	- / •
Steam cleaning / circuit	• / •
Puff	•
Convection bake	•
Convection and Grill cooking	•
Convection grilling	•
Grilling	•
Microwave and Grill cooking	-
Eco Convection bake	•
Oven lights	•
<b>CONTROL PANEL</b>	
Control type	Creactive Extended
Display	TFT 3.5"
Recipe menu	•
Controls	Double Full Touch Display
Languages	15
<b>FEATURES</b>	
Manual quick pre-heating	-
Meat probe	•
12/24 clock format	•
°C / °F	•
<b>OVEN DOOR</b>	
Cool-touch door	•
<b>OVEN CAPACITY</b>	
Gross capacity (litres)	34 L
Interiors:	Stainless steel
Rack position	3
Lighting (Halogen, 20 W) no.	1
Upper heating element for grilling	1500 W
Steam generator /Microwave power	800 W
Lower heating element power	300 W
Convection element power	1500 W
<b>ACCESSORIES</b>	
Round rack	-
Glass turntable plate	•
Flat / Telescopic racks no.	1 / -
Stainless steel tray	•
<b>POWER RATING</b>	
Max oven electrical power (W)	3200 W
Voltage / Frequency (V - Hz)	220 - 240 V ~; 50 Hz
Cord / Plug	• / Schuko
<b>DIMENSIONS</b>	
Width (mm)	758
Height (mm)	474
Depth (mm)	591
Built-In Cut Out (W x H x D) mm	722 x 463 x 560

V V