

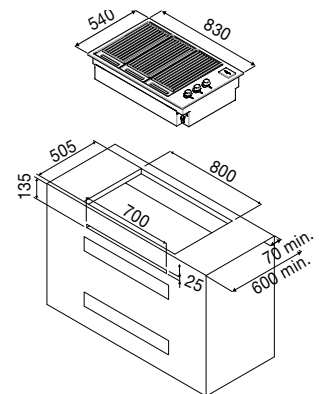


Barbecue 800

FOBQ 803 G MBK



- Black matte enameled steel
- NG or LPG supply
- 3 in-line tubular gas burners
- Metal knobs
- Battery-operated electronic ignition
- 3 cast-iron grill racks
- Removable drip tray



Features

The Fulgor Milano built-in barbecue with matt black enameled steel finish is equipped as standard with sturdy cast iron grates and has 3 tubular gas burners, with a total power of approximately 11,4 kW. Special gas conversion nozzles are supplied as standard to allow the use with both NG and LPG. The in-line arrangement of the burners allows you to separate the cooking zones and also allowing the use of different temperatures. The BBQ is equipped with Gas-Stop safety devices. Among the accessories on request, in addition to a TeppanYaki griddle and the different types of grates, two different lid models are available (high and low).



MATTE BLACK
 FOBQ 803 G MBK
 EAN 8019801031344

BBQ

BARBECUE GAS 800



FOBQ 803 G MBK	
Type	Built-In Barbecue
Finish	Matte Black
FEATURES	
Knob material / no.	Steel / 3
Grates (material)	Cast-iron
Tubular burners	3
Inner tub	Black enamel
Steel knob	-
Supply	Gas
Grates no.	3
Gastronorm liquid-collection tray	•
Heating grid	-
Total gas burner power	11.4 kW
Electronic ignition	•
Battery ignition	•
Thermometer	-
Gas types	NG - LPG
DIMENSIONS	
Cooking zone width (mm)	650
Width (mm)	830 x 189 x 540
Built-In Cut Out (W x H x D) mm	800 x 210 x 505