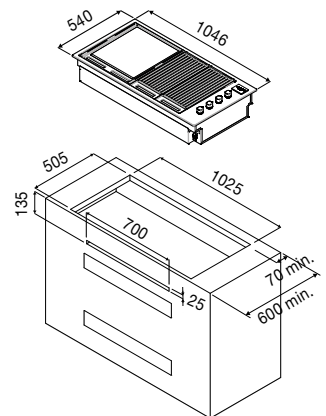


Barbecue 1000

FOBQ 1000 G X



- AISI 316 stainless steel
- NG or LPG supply
- 4 in-line tubular gas burners
- Metal knobs
- Battery-operated electronic ignition
- Stainless steel Teppanyaki griddle
- 2 stainless steel grill racks
- Removable drip tray



Features

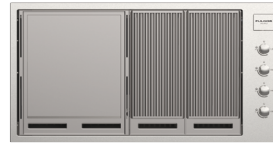
The Fulgor Milano built-in barbecue in AISI 316 stainless steel has 4 tubular gas burners, with a total power of approximately 15,2 kW. Special gas conversion nozzles are supplied as standard to allow the use with both NG and LPG. The in-line arrangement of the burners allows you to separate the cooking zones and also allowing the use of different temperatures. The BBQ is equipped with Gas-Stop safety devices. Among the accessories on request, in addition to the different types of grates, two different lid models are available (high and low).



STAINLESS STEEL
 FOBQ 1000 G X
 EAN 8019801021857

BBQ

BARBECUE GAS 1000



FOBQ 1000 G X	
Type	Built-In Barbecue
Finish	Stainless steel
FEATURES	
Knob material / no.	Steel / 4
Teppanyaki (material)	Stainless steel
Grates (material)	Stainless steel
Tubular burners	4
Inner tub	Black enamel
Steel knob	-
Supply	Gas
Grates no.	2
Gastronorm liquid-collection tray	•
Heating grid	-
Total gas burner power	15.2 kW
Electronic ignition	•
Battery ignition	•
Thermometer / gas types	- / NG - LPG
DIMENSIONS	
Cooking zone width (mm)	900
Width (mm)	1046 x 189 x 540
Built-In Cut Out (W x H x D) mm	1025 x 210 x 505