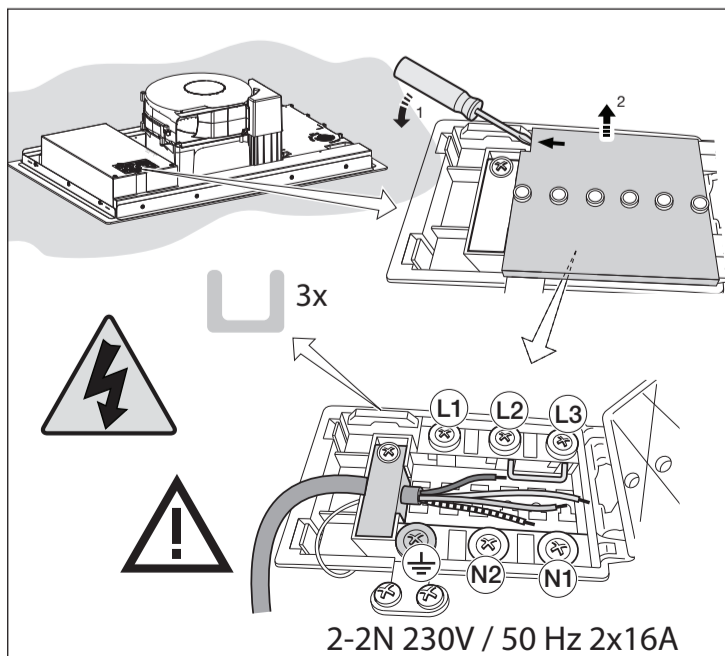
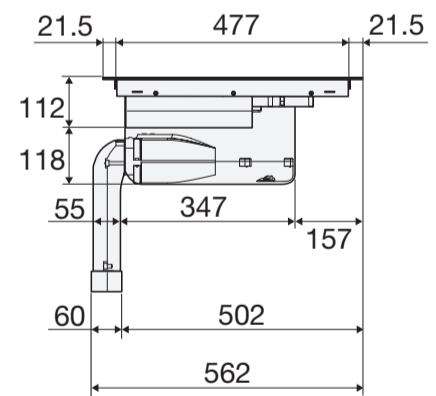
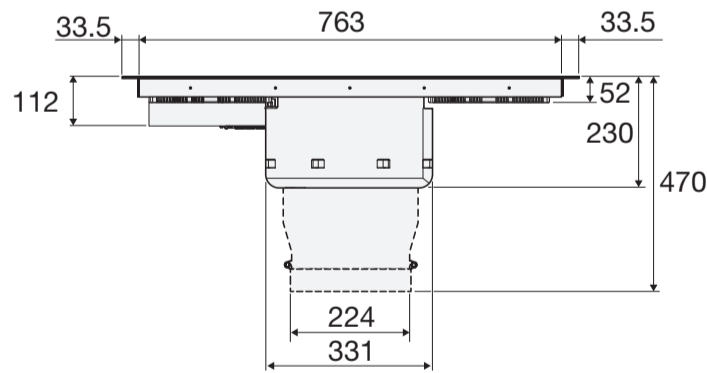
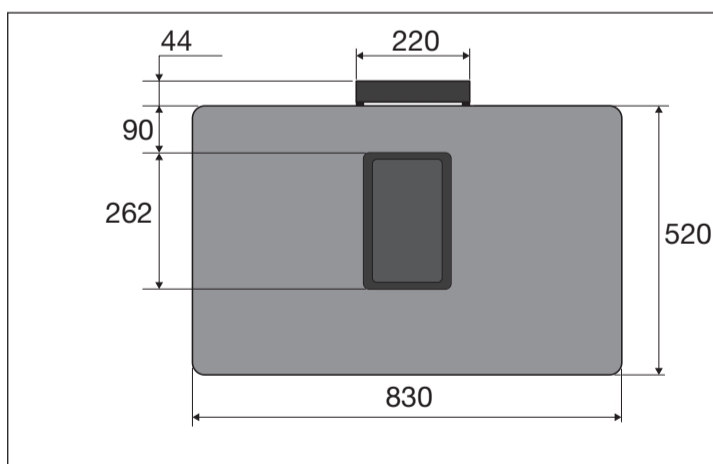
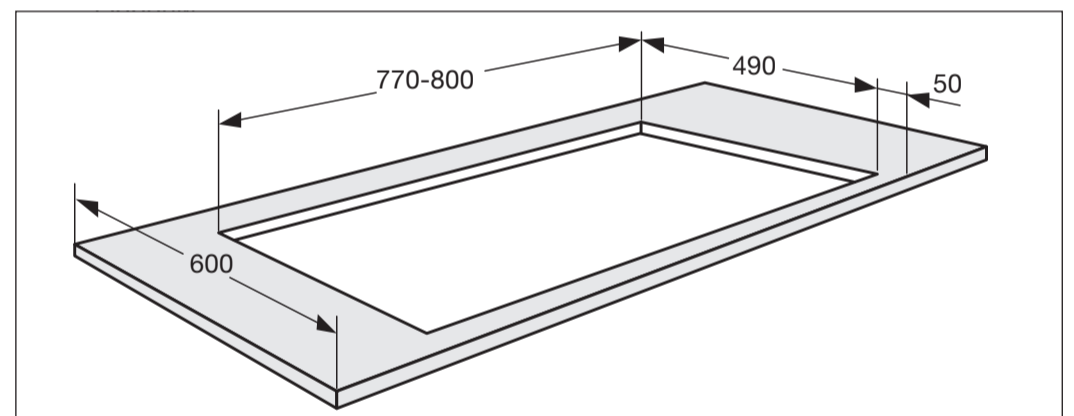
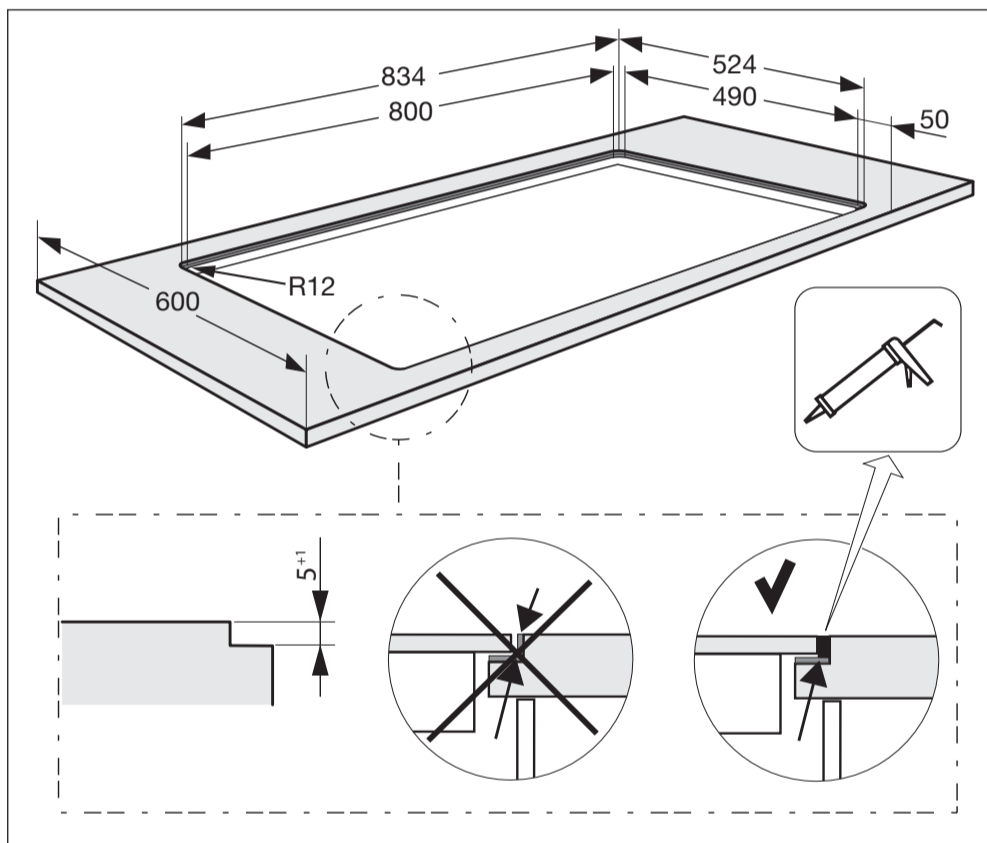
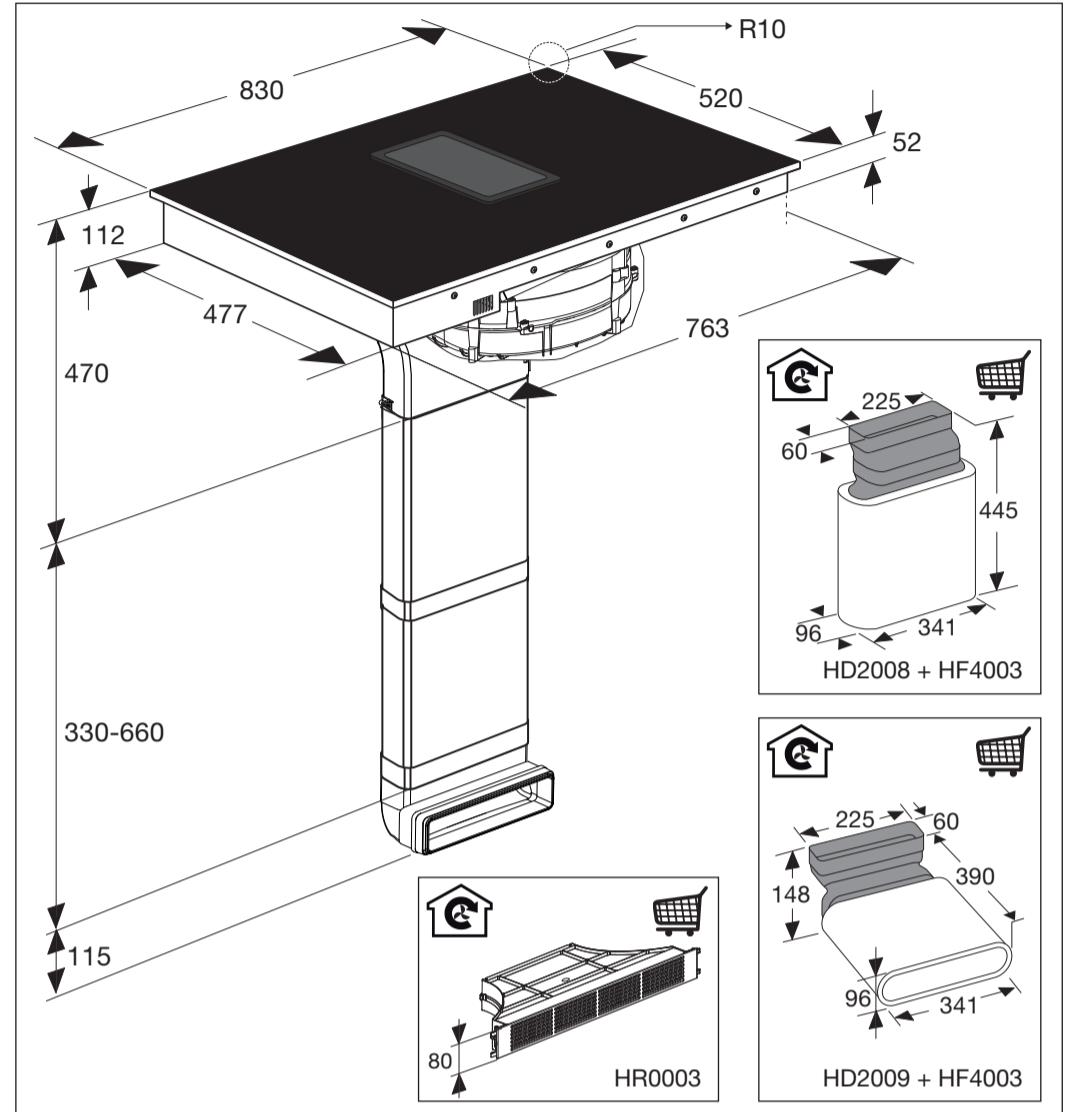
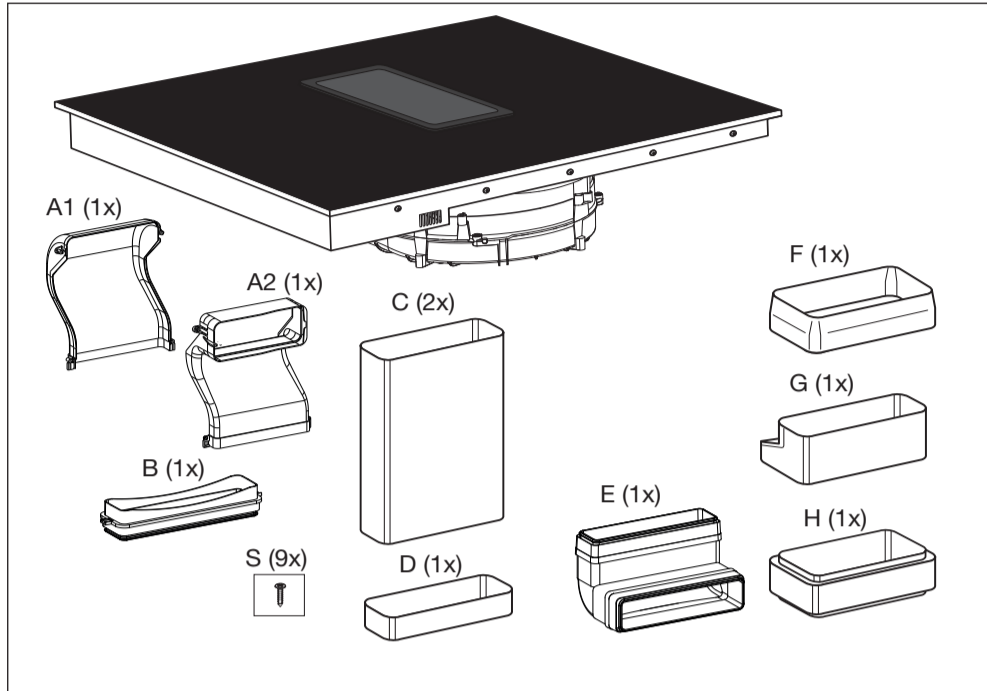
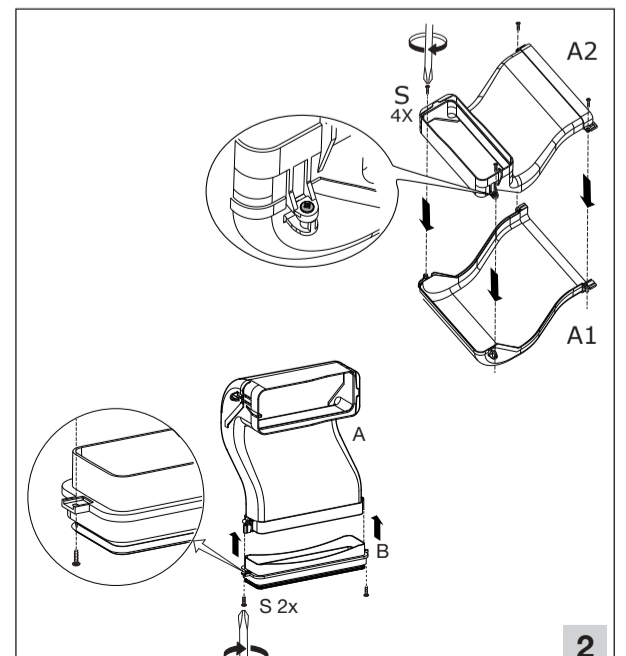


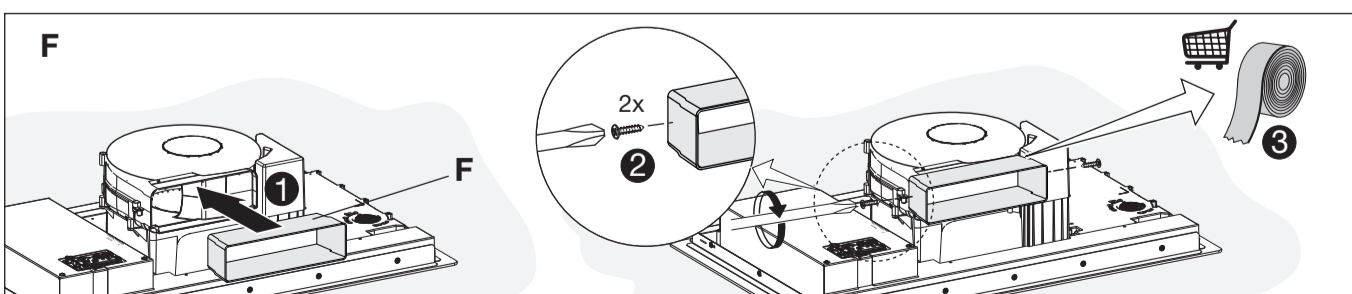
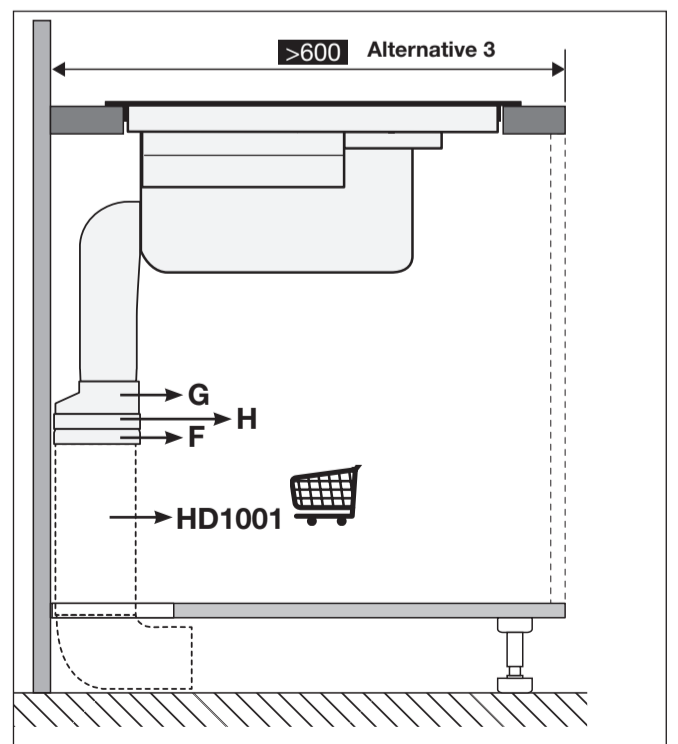
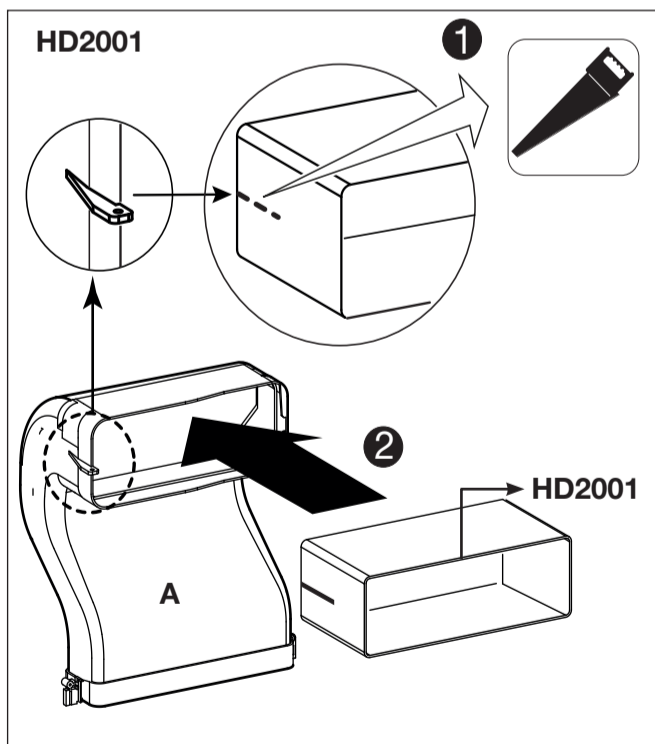
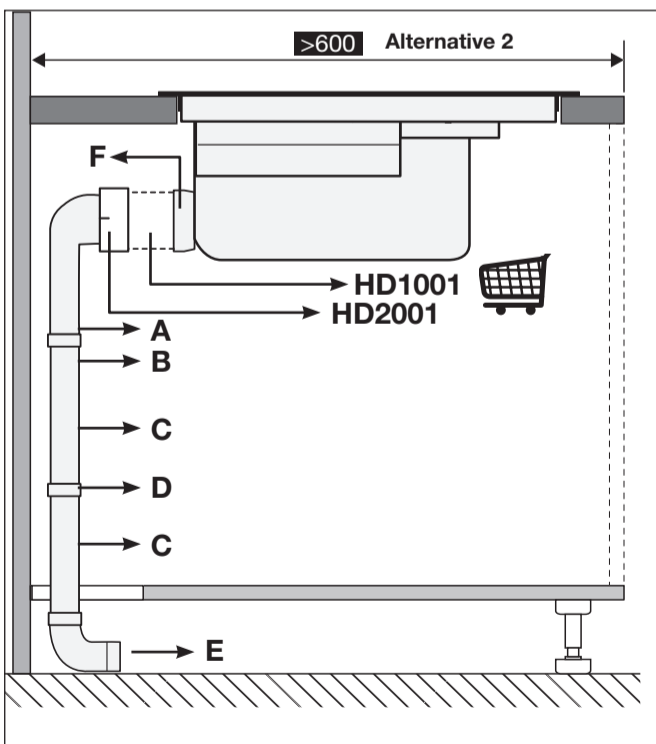
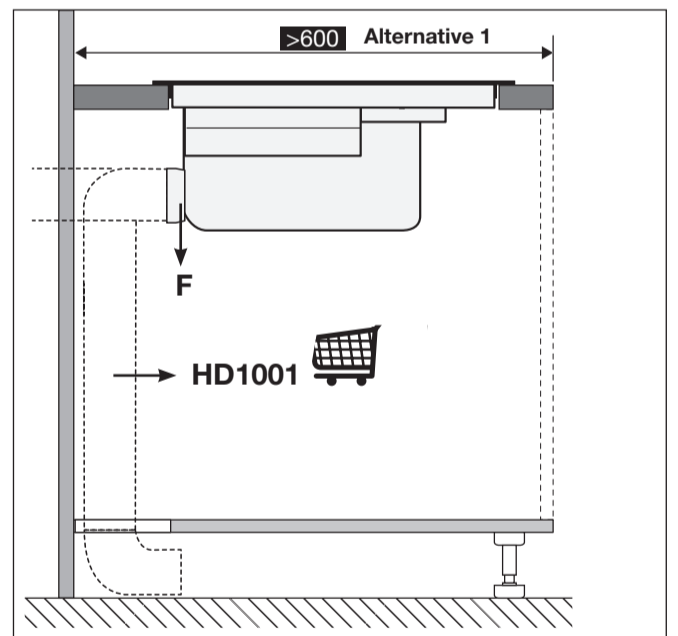
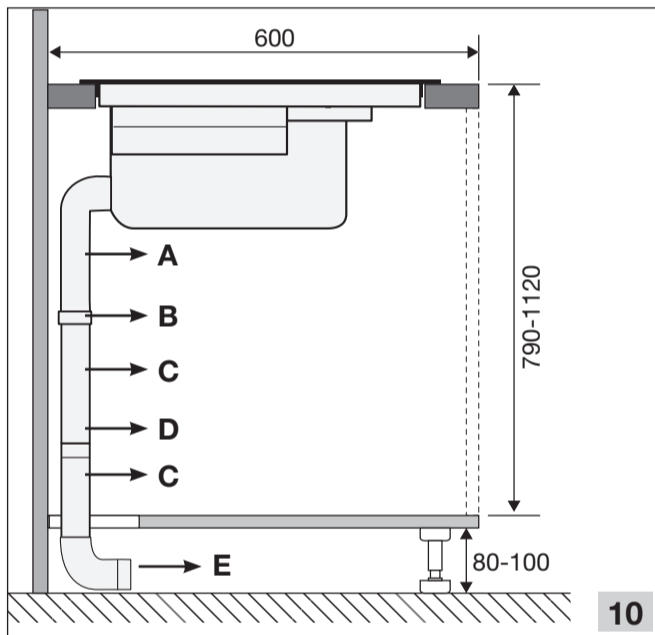
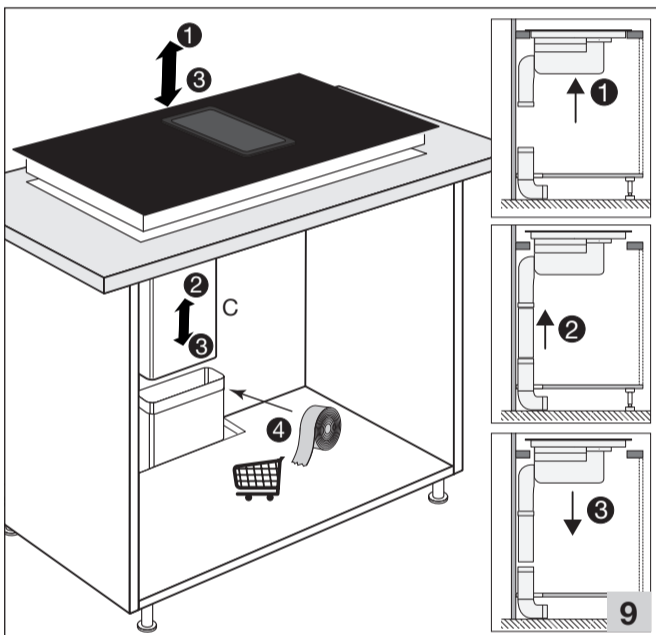
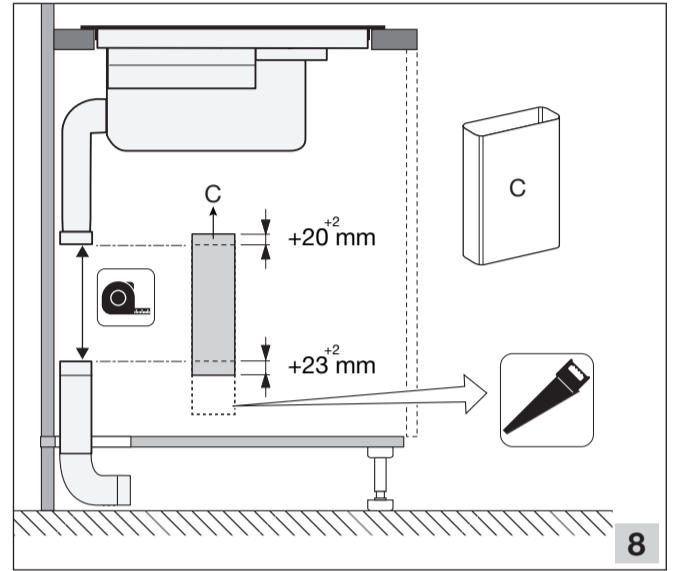
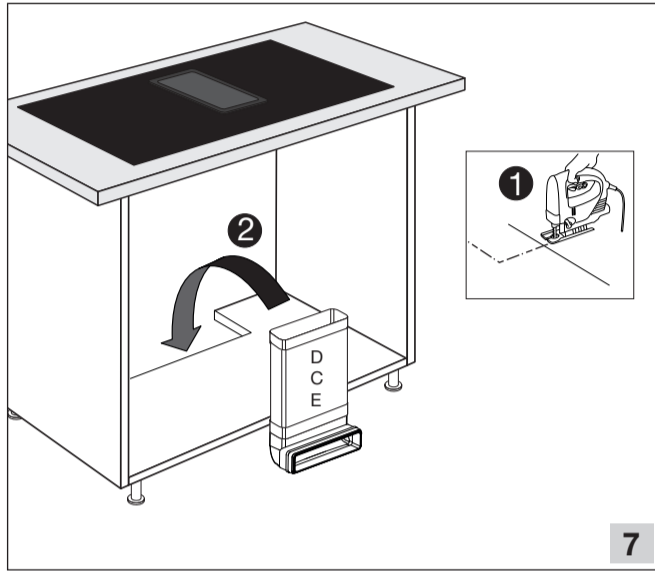
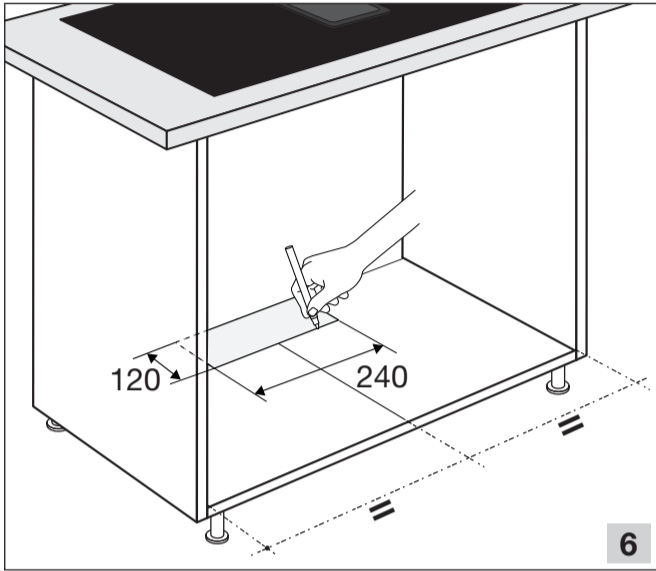
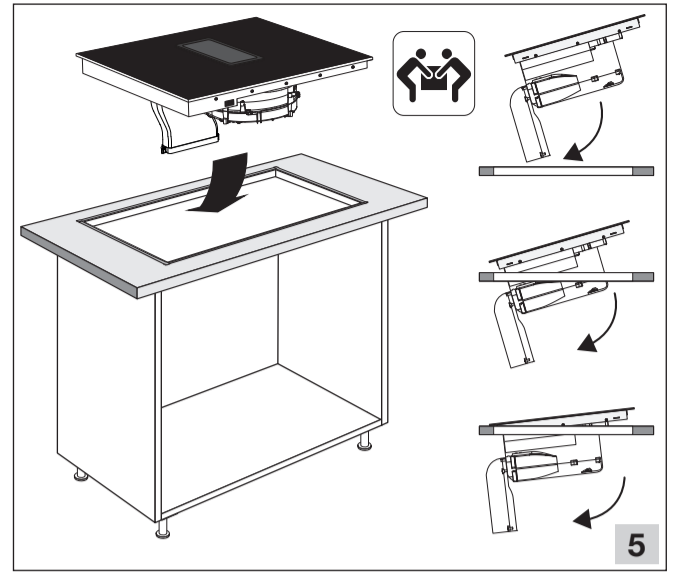
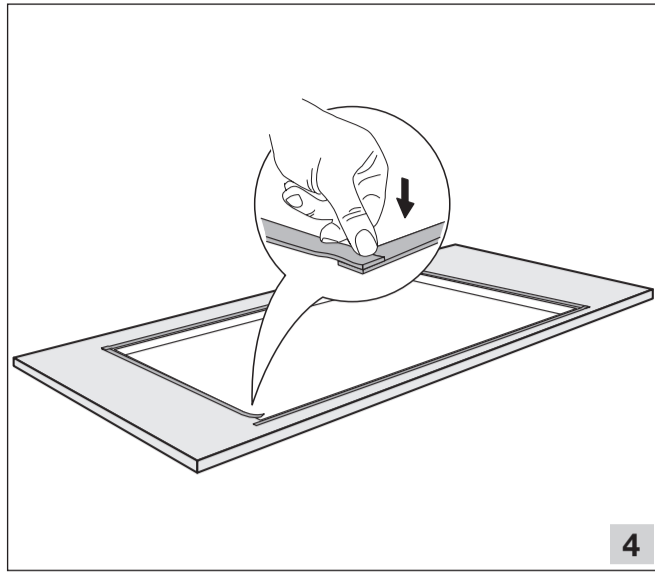
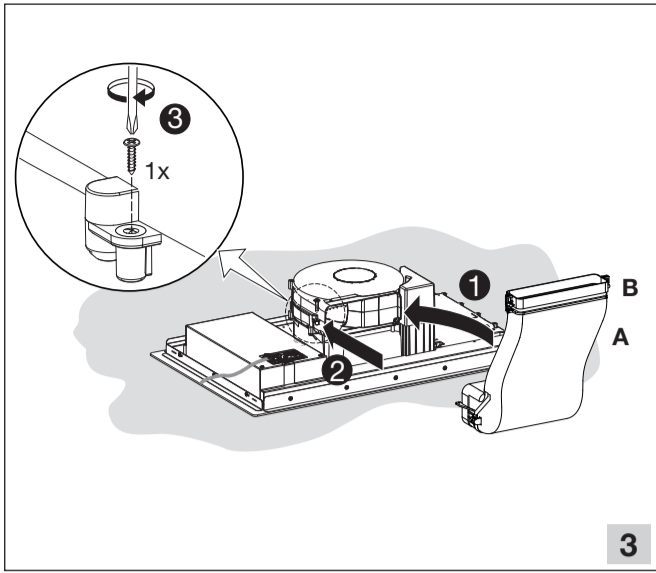
Recirculation
 HR0003
 HF4003
 HD2008
 HD2009

Hob: 220-240 V - 50/60 Hz - 7.6 kW



<p>3N 380-415V 50/60Hz - 3x 16A ⇐</p> <p>3 fase - 1 nul 3 phases - 1 neutral 3 Phasen - 1 Nullanschluss 3 phases et 1 neutre</p> <p>Aderdoorsnede Aderquerschnitt Cross sectional area Fil diamètre</p> <p>5x1,5 mm²</p> <p>L1 L2 L3 N</p> <p>400 V 400 V 230 V</p> <p>400 V 230 V</p> <p>230 V</p>	<p>2N 380-415V 50/60Hz - 2x 16A ⇐</p> <p>2 fase - 1 nul / 2 phases - 1 neutral 2 Phasen - 1 Nullanschluss / 2 phases et 1 neutre</p> <p>Aderdoorsnede Aderquerschnitt Cross sectional area Fil diamètre</p> <p>4x1,5 mm²</p> <p>L1 L2 N</p> <p>400 V 230 V</p> <p>230 V</p>
<p>1N 220-240V 50/60Hz - 1x 32A ⇐</p> <p>1 fase - 1 nul 1 phase - 1 neutral 1 Phase - 1 Nullanschluss 1 phase et 1 neutre</p> <p>Aderdoorsnede Aderquerschnitt Cross sectional area Fil diamètre</p> <p>3x4 mm²</p> <p>L N</p> <p>230 V</p>	<p>2-2N 230V 50Hz - 2x 16A ⇐</p> <p>2 fase - 2 nullen 2 phases - 2 neutral 2 Phasen - 2 Nullanschlusse 2 phases et 2 neutres</p> <p>Aderdoorsnede Aderquerschnitt Cross sectional area Fil diamètre</p> <p>5x1,5 mm²</p> <p>L1 L2 L3 N N</p> <p>230 V 230 V</p> <p>⚠ only NL/alleen NL 1</p>





806086

806086 / VER 3 / 07-04-2020