

### General

#### Technical Information

**Electrical Supply:** 230 V ~ 50 Hz

#### Dimensions

Set size: W 595 x H 454 x D 569.4

Built in size: W 555 x H 445 x D 548.8

This appliance complies with EU regulations.

#### Disposal of Packaging and Appliance

Packaging is recyclable.

Packaging may consist of the following materials:

- cardboard;
- polyethylene film (PE);
- CFC-free polystyrene(PS rigid foam).

Please dispose of these materials in a responsible manner in accordance with government regulations.

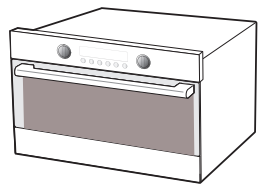
The authorities can provide information on how to dispose of domestic appliances in a responsible manner.

#### Safety

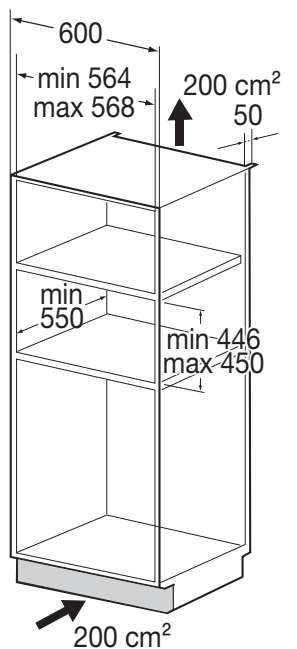
This appliance should only be connected by a qualified technician. The Oven is NOT designed for use in a commercial cooking setting. It should be used exclusively for cooking food in a home setting. The appliance is hot during and after use. Exercise caution when young children are present.

#### Electrical Connection

The house mains to which the appliance is connected should comply with national and local regulations. Appliance should allow to disconnection of the appliance from the supply after installation. The disconnection may be achieved by having the plug accessible or by incorporating a switch in the fixed wiring in accordance with the wiring rules.



### Building-in dimensions



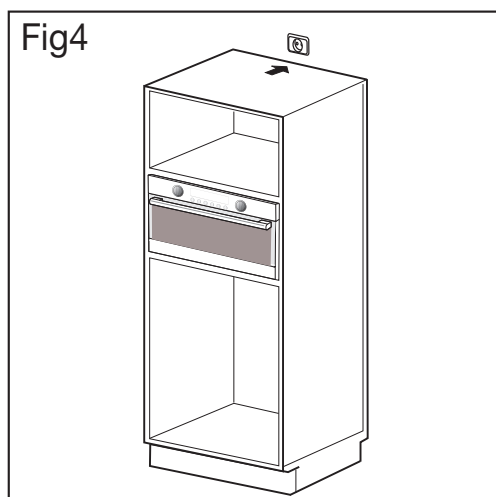
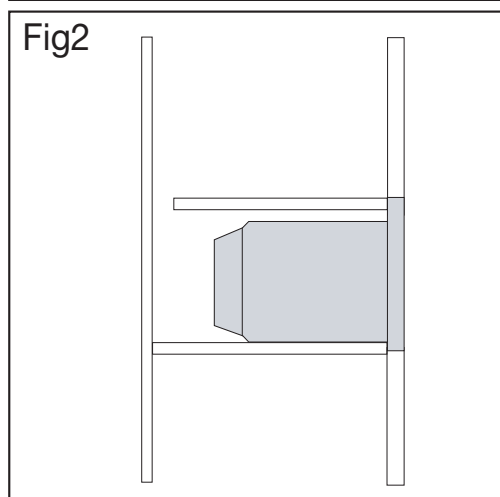
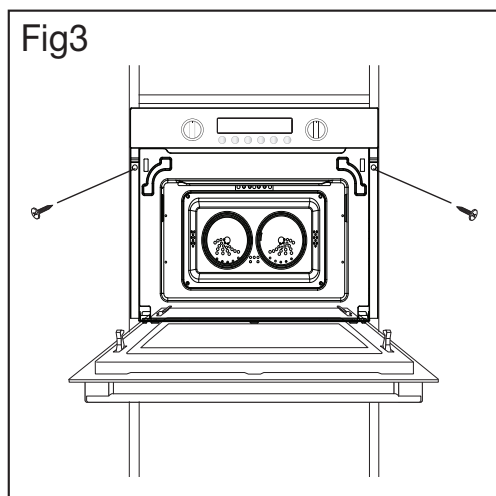
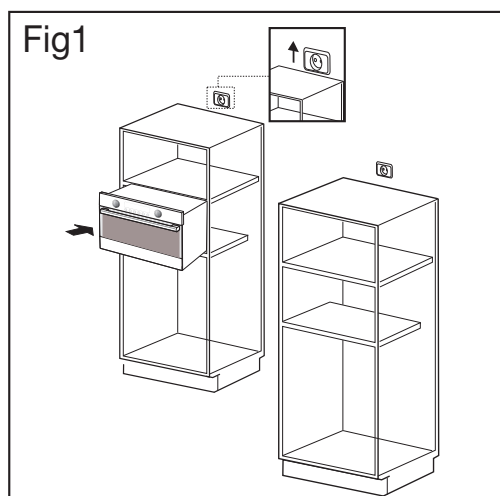
# ATAG

Code No: DG68-00467B/700005121001

EN

### Install in the Cabinet

Kitchen Cabinets in contact with the oven must be heat-resistant up to 100 °C. Atag will take no responsibility for damage of cabinets from the heat.



- Fig1. Slide the oven partly into the recess. Lead the connection cable to the power source.
- Fig2. Slide the oven completely into the recess.
- Fig3. Fasten the oven using the two screws (4 X 25 mm) provided.
- Fig4. Make the electrical connection. Check that the appliance works.

### Built-under Dimensions

