



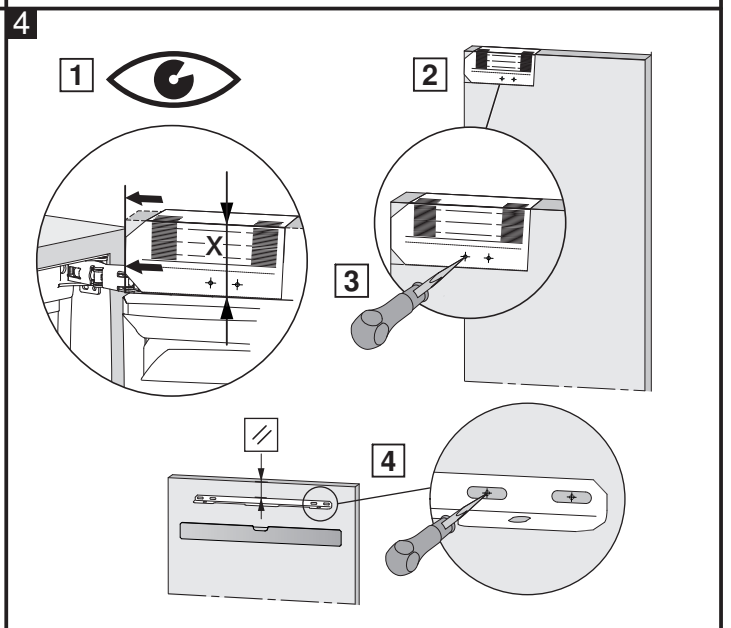
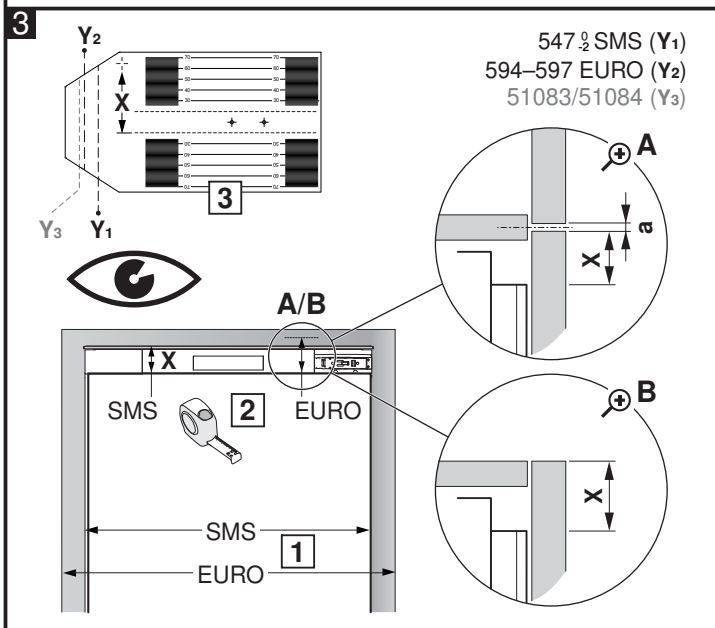
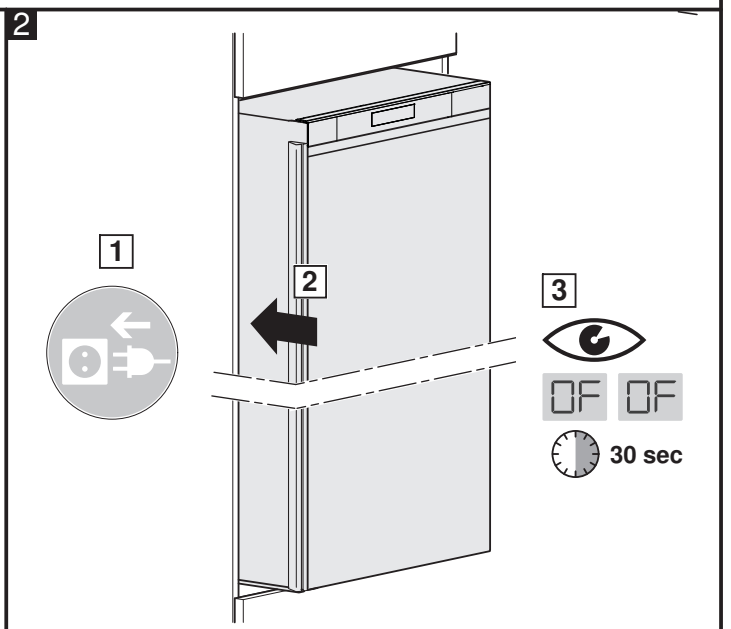
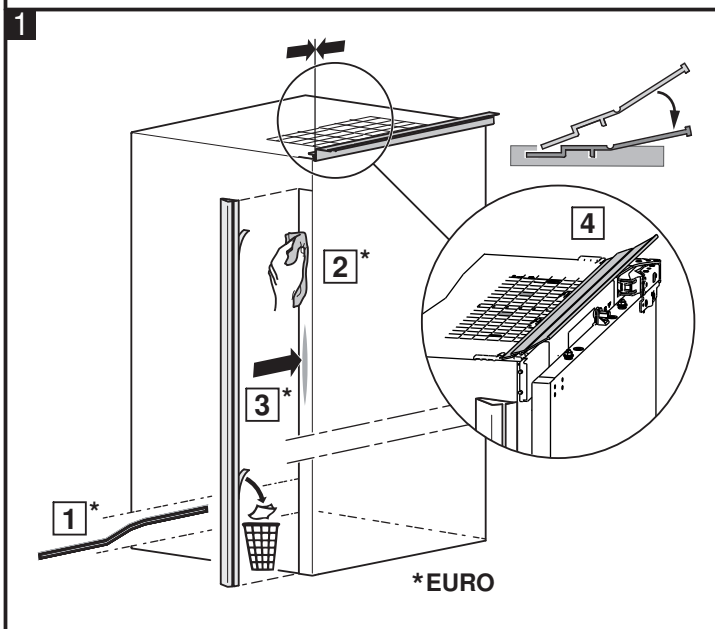
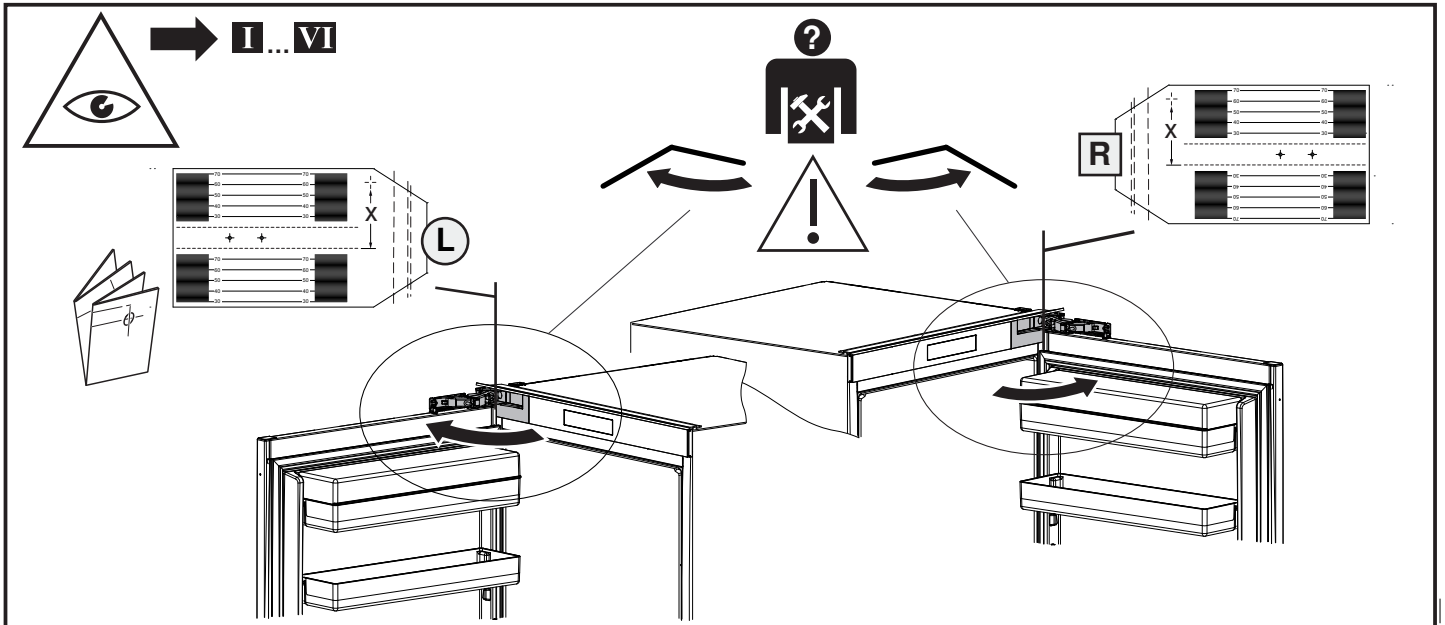
	1...15		CCO4T-51151 CCO4T-51114 CCO4T-51108	CCO4T-51087 CCO4T-51086 CCO4H-51101	CCO2T-51107 CCO2T-51106 CCO2T-51100	
--	---------------	--	---	---	---	--

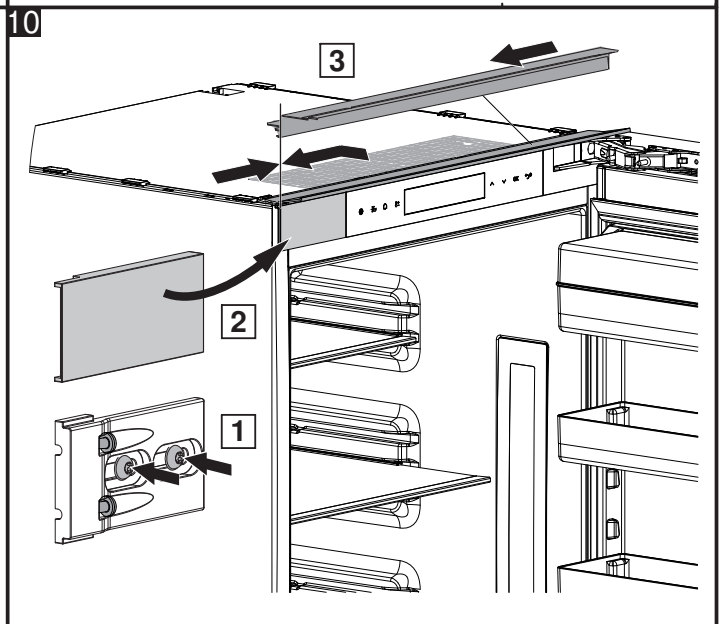
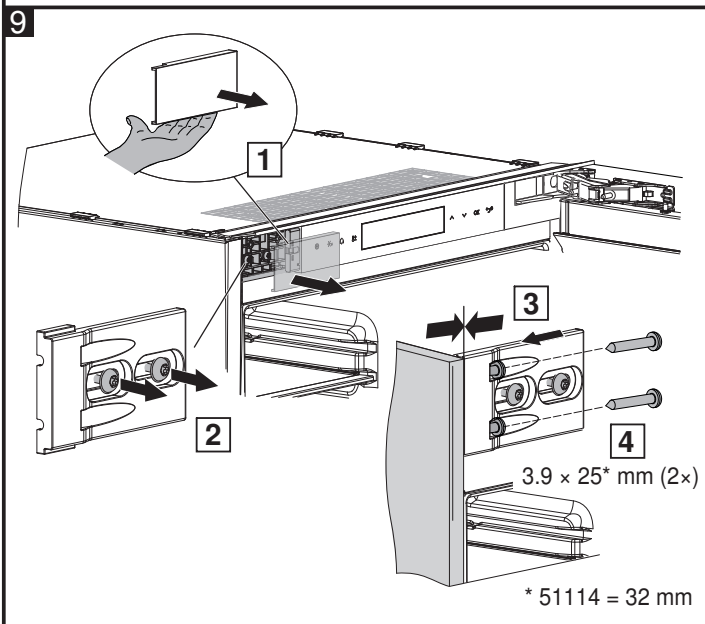
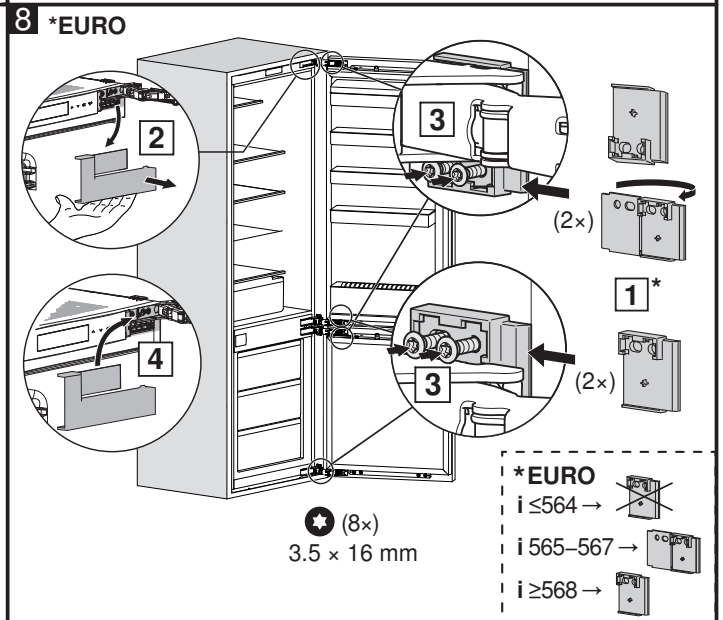
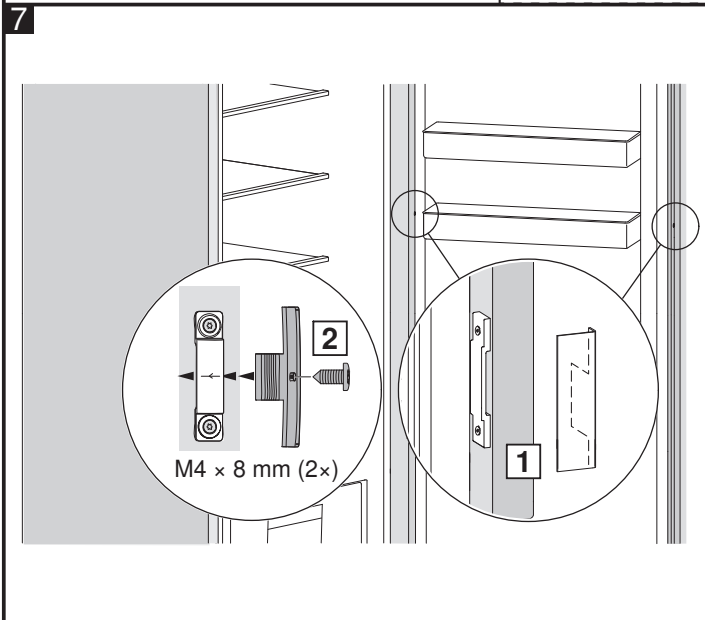
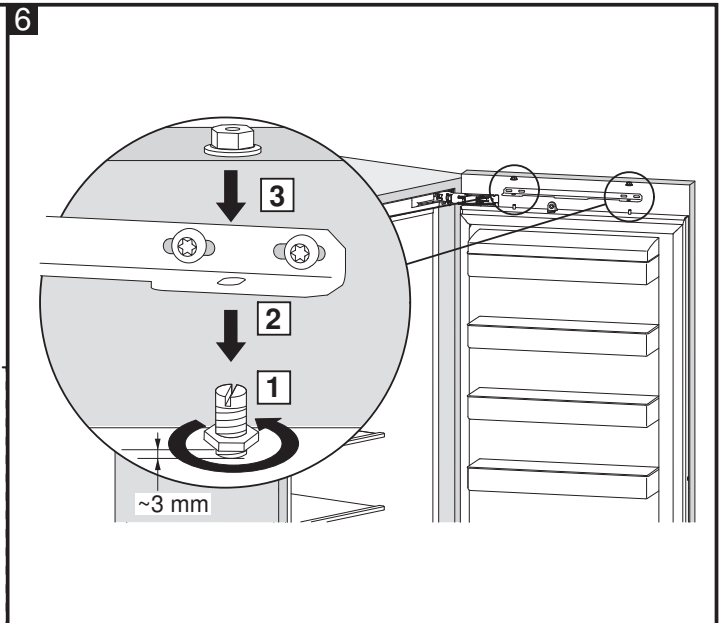
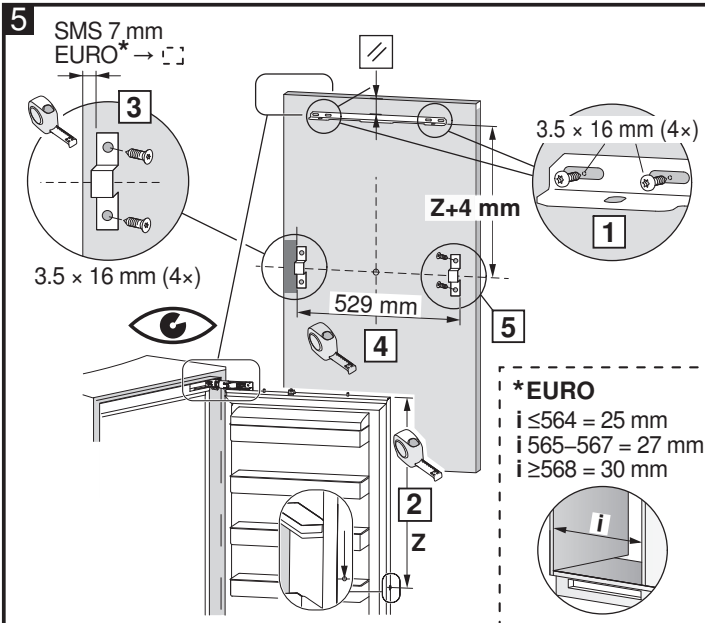
--	--	--	--	--

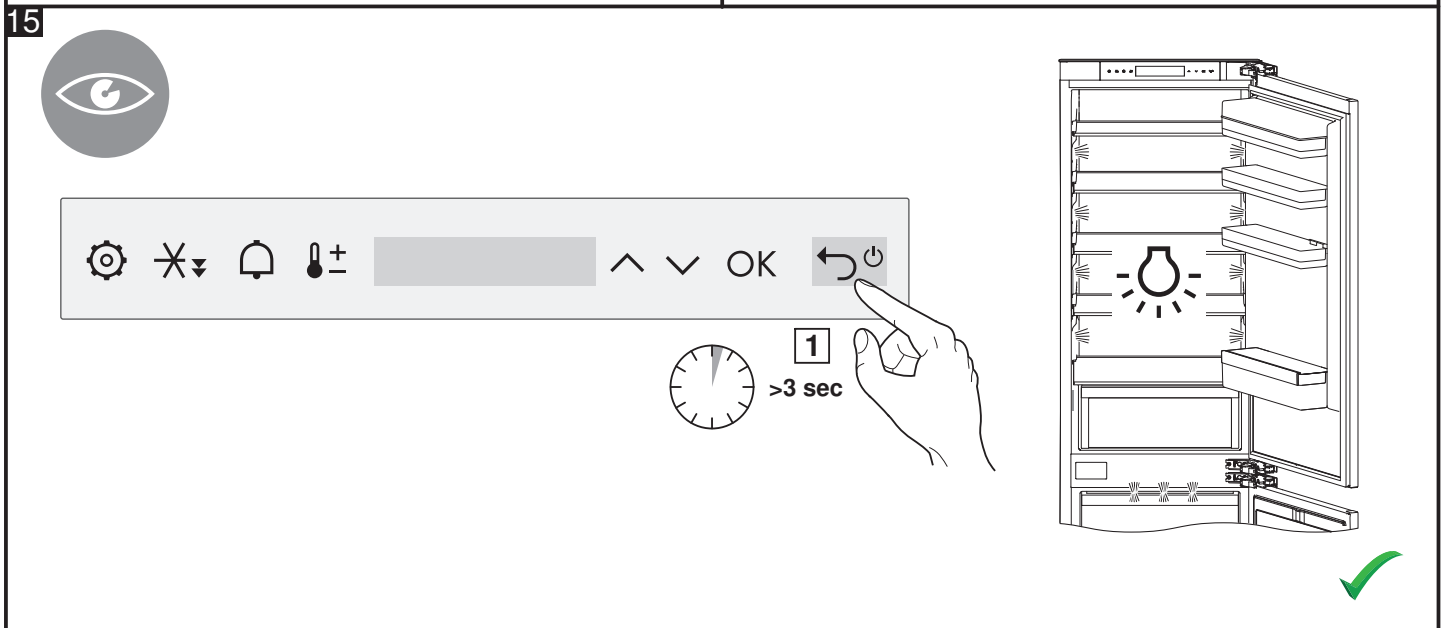
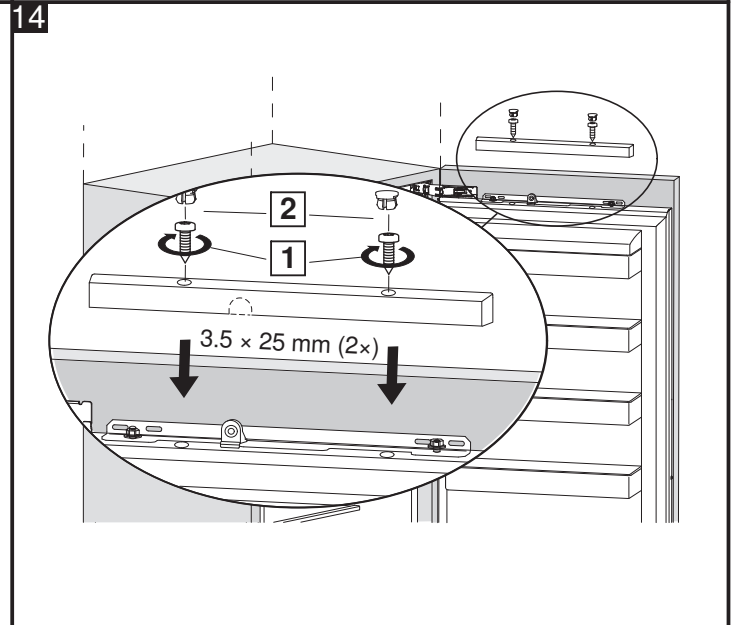
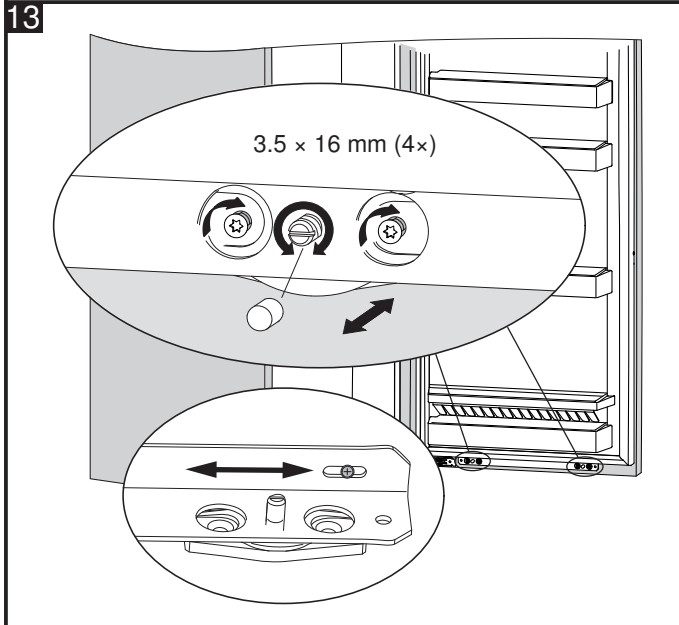
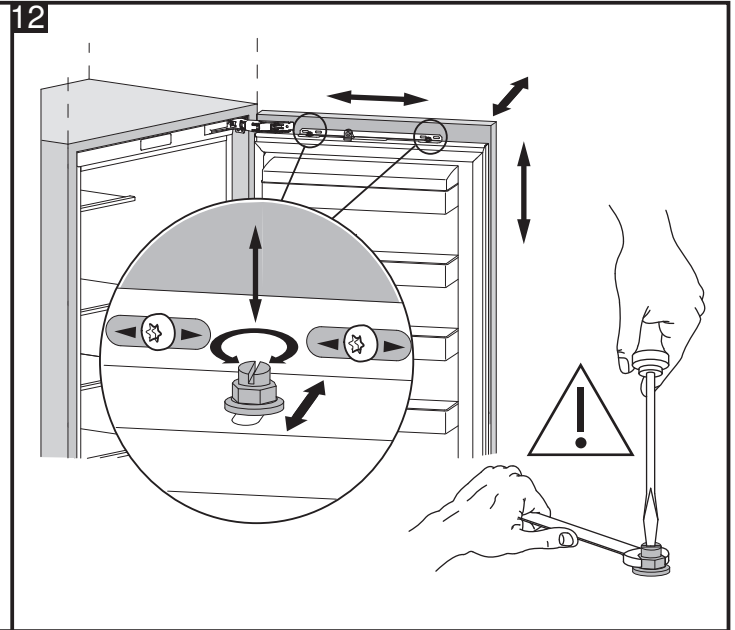
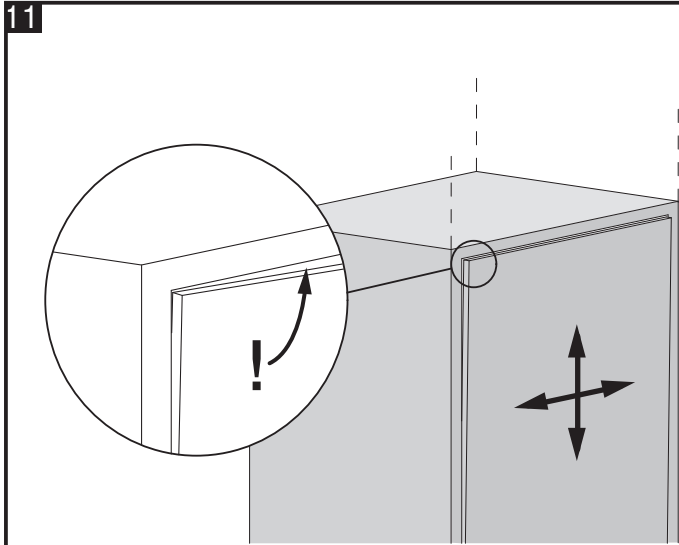
--	--	--	--

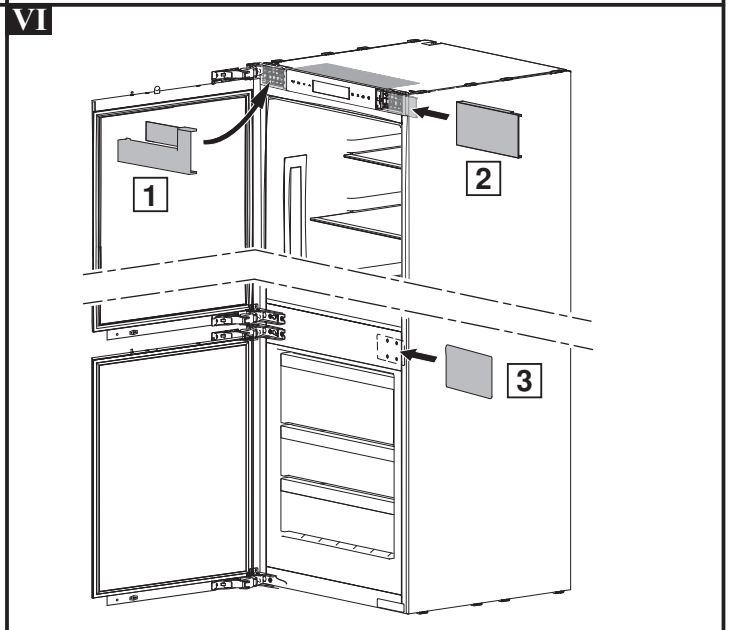
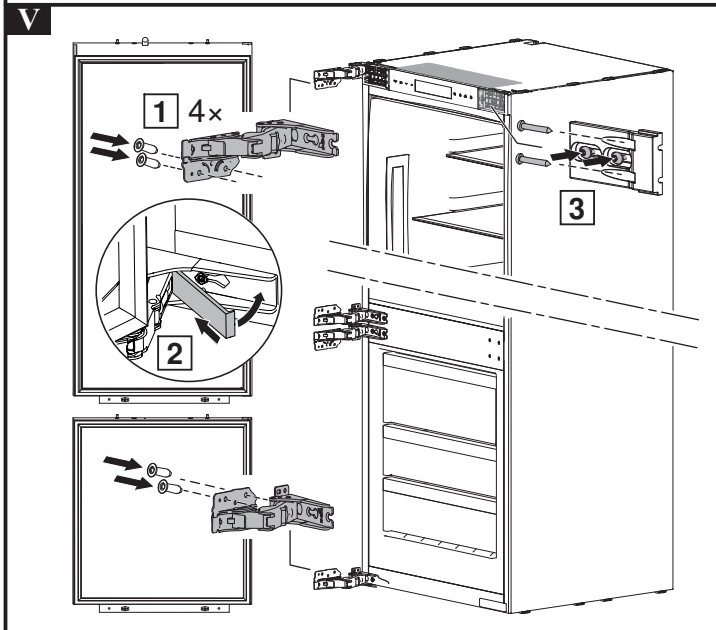
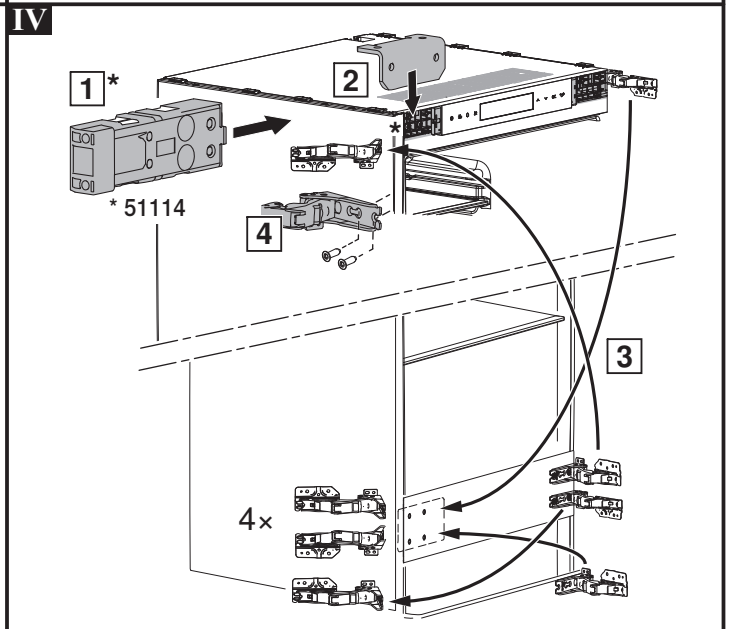
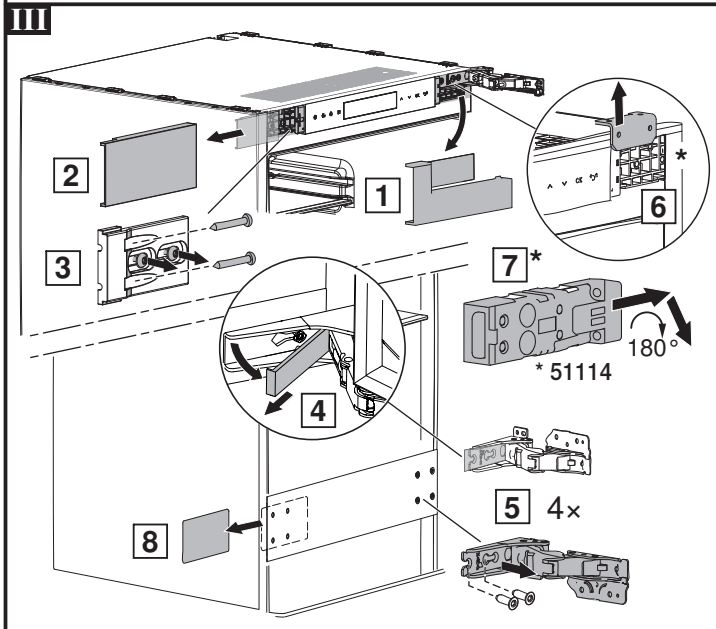
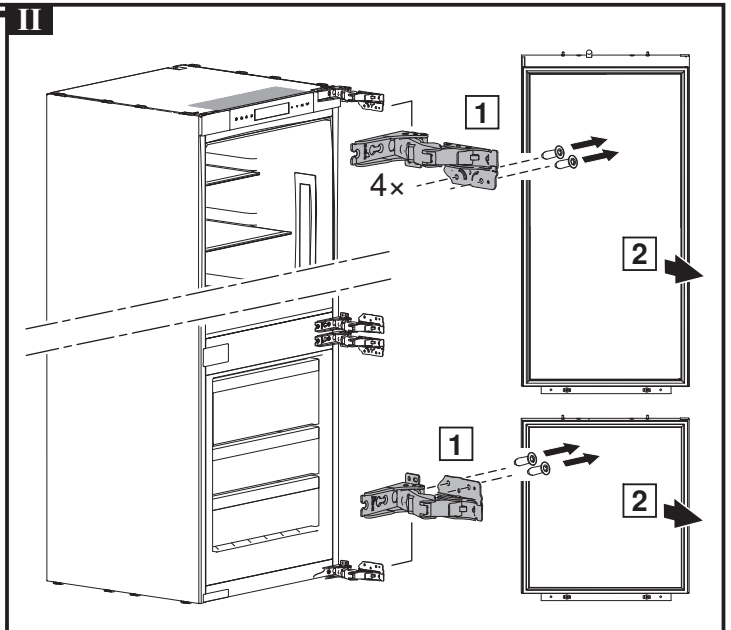
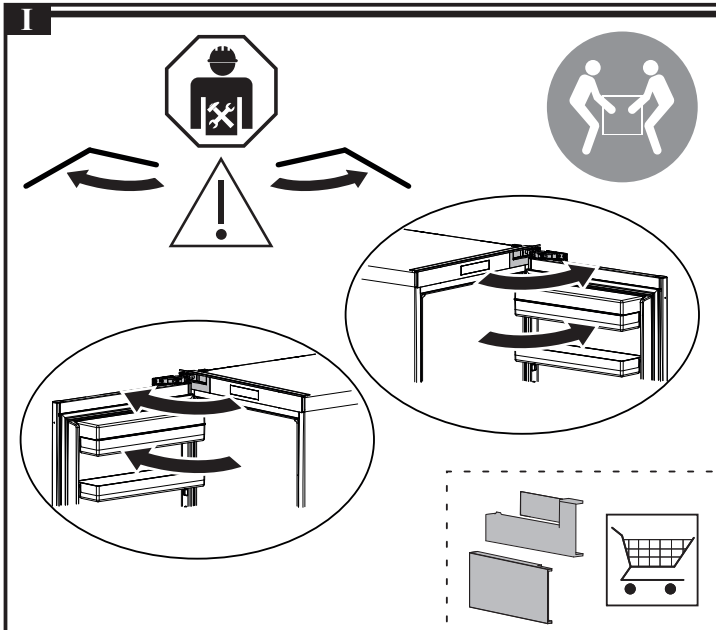
(*) >560 mm ✓ 550-560 mm ✓
 <550 mm ✗

h [mm]	t [mm]	b [mm]	h1 [mm]	h2 [mm]	N [mm]	E [mm]	m1/m2 [≤kg]	SMS	EURO
1522 (12/6)	545	548	886 – 889 (7/6)	635 (5/6) – 638	1524 ⁺²	1850	15 / 12	x	x
1776 (14/6)	545	548	1140 – 1143 (9/6)	635 (5/6) – 638	1778 ⁺²	2050	17.5 / 12	x	x











1061557-07

16.02.2024

10181480
