



Passione in Cucina



MANUAL
MLWC6oAN / MLWC88AN
MLWC6oZW / MLWC88ZW

- EN** | USER MANUAL
- NL** | GEBRUIKSAANWIJZING
- DE** | BENUTZERHANDBUCH
- FR** | NOTICE D'UTILISATION

www.boretti.com



Passione in Cucina



MANUAL
MLWC60AN / MLWC88AN
MLWC60ZW / MLWC88ZW

EN | USER MANUAL

www.boretti.com

Introduction

Congratulations! You are the official owner of a Boretti wine cabinet. In the years to come you will discover that the use of a Boretti wine cabinet gives a new dimension to cooling. We advise you to read this manual carefully before taking the cabinet in use to get to know all the ins and outs of this beautiful appliance. Please inform us if you have any questions. You are welcome to visit our Experience Center anytime, we are happy to inspire and help with your questions.

We wish you a lot of cooling pleasure! Enjoy the aperitivo's and dinners like never before!

Boretti

Product Registration

To register ownership, please ensure you complete the online registration form www.boretti.com.

Table of Content

* 1. Important safety issues	6
* 2. Installation	9
* 3. Usage of product.....	15
* 4. Care & Cleaning	21
* 5. Troubleshooting.....	22

1. Important safety issues

- * To prevent damage to the door and door gasket, make sure the door is fully opened before pulling out any shelves.
- * Do not move the wine cabinet when it is loaded with wine, you might distort the appliance.
- * If the power supply cord becomes damaged it should only be replaced by the manufacturer or qualified person.
- * Never allow children to operate on playing with the appliance.
- * Never clean appliance parts with flammable fluids.
- * Do not store or use gasoline or any other flammable vapours and liquids in the vicinity of this or any other appliance. This can create a fire hazard or explosion.
- * Always remember to unplug the appliance before cleaning. When disconnecting from the electricity supply, pull the plug, not the power cord.
- * Do not use anything electrical inside the wine cabinet.
- * All repairs must be carried out by a qualified service engineer. Inadequate repairs may result in a major source of danger for the user and invalidate any warranty.
- * Never store anything dangerous inside the appliance, such as combustibles, explosives, strong acid or alkali etc.
- * Always keep any ventilation openings clear of obstruction. Should they become blocked, clear them straight away.
- * Make sure that the plug is in an accessible place when installation is complete.
- * Only use this appliance for domestic purposes in accordance with these instructions.
- * The wine cabinet is suitable for storing wine (or other bottled beverages). It is not suitable for storing fresh or frozen foods.
- * If the refrigerant of these appliances are R600a, Flammable and explosive articles should not be put in or near the cabinet, to avoid the fire or explode caused.



Warning

Do not allow the refrigerant circuit to become damaged while using or installing the appliance. Should it become damaged, do not use the appliance until you are instructed to do so by a service engineer. Refrigerant can ignite or cause damage to the eye when leaking.

Environmental protection

Waste electrical products should not be disposed of with household waste. Please recycle where facilities exist. Check with your Local Authority or retailer for recycling advice. This appliance is marked according to the European directive on Waste Electrical and Electronic Equipment (WEEE). By ensuring this product is disposed of correctly, you will help prevent potential negative consequences for the environment and human health, which could otherwise be caused by inappropriate waste handling of this product. The symbol on the product indicates that this product may not be treated as household waste. Instead it shall be handed over to the applicable collection point for the recycling of electrical and electronic equipment. Disposal must be carried out in accordance with local environmental regulations for waste disposal. For more detailed information about treatment, recovery and recycling of this product, please contact your local council, your household waste disposal service or the retailer where you purchased the product.



CE declaration of conformity

Hereby, Boretti B.V. declares that this appliance has been manufactured to the standards of the CE guidelines and directives applicable for CE conformity.



Warranty

Your new wine cabinet is covered by warranty. Registration can be completed online by visiting www.boretti.com. Spare parts are only available from Boretti Service department and spare part authorized resellers.

Technical fiche

This appliance conforms to all current and applicable energy regulations. To view the Technical Fiche that supports the energy labelling data, please visit the product page on our website www.boretti.com. Or scan the QR-code to contact the EPREL database.



MLWC60AN



MLWC60ZW



MLWC88AN



MLWC88ZW

2. Installation

2.1 Before use

Before connecting the wine cabinet to the power source, let it stand upright for at least 6 hours. This will reduce the possibility of a malfunction in the cooling system from handling during transportation.

Clean the interior surface with lukewarm water using a soft cloth.

Read the instructions supplied with the appliance – failure to install or use of the appliance in accordance with the instructions may invalidate any warranty.

Boretti does not accept any liability for damage caused through improper use, or incorrect installation. Do not install this appliance if it has been damaged during transportation. This includes the plug and supply cord.

Please keep these instructions in a safe place for future reference.

2.2 Installation of the wine cabinet

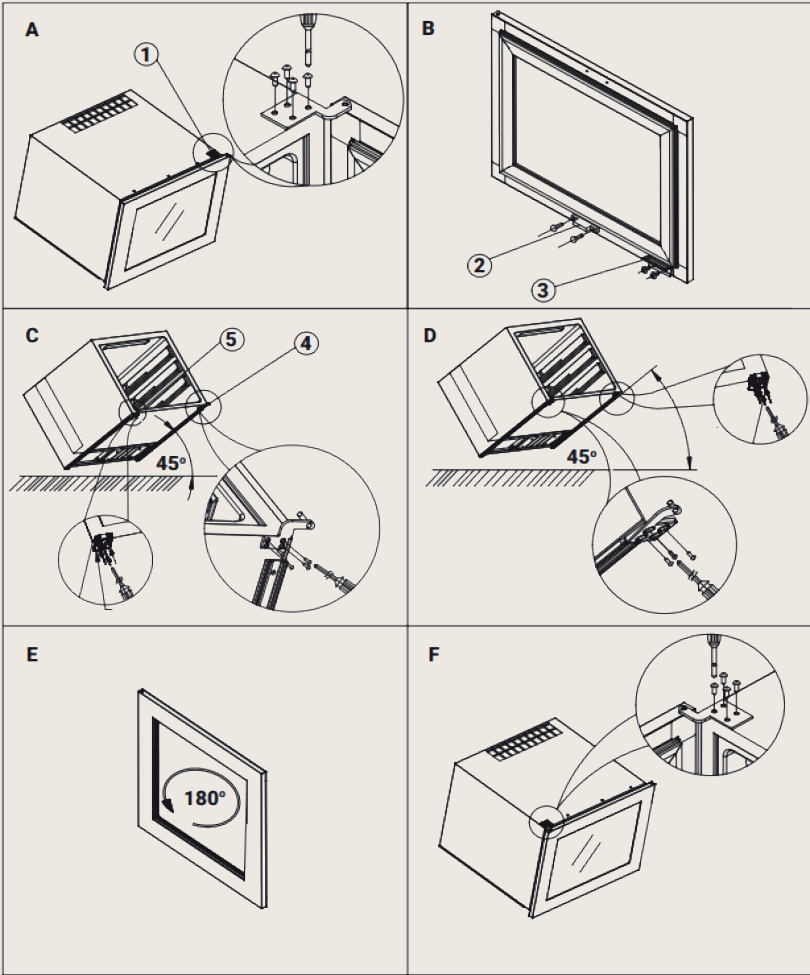
1. This appliance is designed to be for in column (fully recessed).
2. This appliance uses flammable refrigerant. Never damage the cooling pipework during transportation and installation.
3. **Place your wine cooler on a cabinet shelf that is strong enough to support it when it is fully loaded.**
4. Avoid locating the unit in moist areas.
5. Put the plug of the wine cabinet into an appropriate socket. Should the plug require changing, get help from a qualified service technician.
6. Ensure the product is correctly ventilated (See section 1.5).
7. Plug the wine cabinet into an exclusive, properly installed-grounded wall outlet. Do not under any circumstances cut or remove the third (ground) pin from the plug. Any questions concerning power and/or grounding should be directed toward a certified electrician or Customer Service Boretti.

2.3 How to change the door opening MLWC60 / MLWC88

This appliance has reversible doors but is delivered with left opening door. please follow the instructions below for changing the door to the right opening.

1. Top hinge 2. Door light switch 3. Location-plate 4. Bottom hinge 5. Support

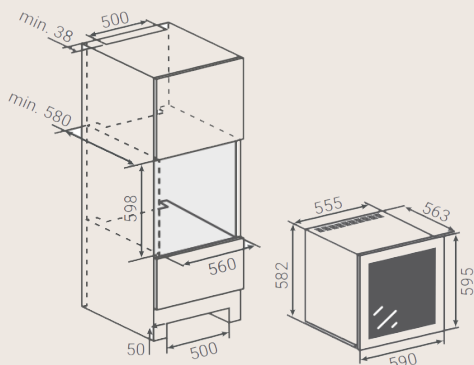
- * Place the cabinet on a soft surface and put the front on a mat height around 200mm to support the cabinet. This is used to prevent damaging the door, because the door is bigger than the cabinet.
- * **(Fig.A)**; Open the door in a 90° angle. Remove 4 screws and top hinge **(1)** at the right top of the cabinet. Remove the door from the cabinet and put the door in place where it can't be damaged
- * **(Fig.B)**; Remove the door light switch **(2)** with 2 screws from the bottom of the door. Then reinstall the door light switch **(2)** with 2 screws in the opposite direction; top central of the door.
- * **(Fig.B)**; Remove the location-plate **(3)** with screws from the right bottom of the door. Then reinstall the location-plate with screw to the diagonal direction (left top of the door)
- * **(Fig.C, D)**; Incline the wine cooler with 45 degrees. Remove the screws and the bottom hinge **(4)** in the right bottom of the cabinet. Remove the screws and supporter **(5)** at the left bottom of the cabinet. Then install the supporter **(4)** to the right bottom of the cabinet.
- * **(Fig.D)** Install bottom hinge **(4)** to the bottom left of the door.
- * **(Fig.E)** Rotate the door at 180°.
- * **(Fig.F)**; Install the top hinge **(1)** with screws to the left top of cabinet, align the door with cabinet



2.4 Built-in dimensions

Place your wine cabinet on a cabinet shelf that is strong enough to support it when it is fully loaded. The kitchen unit must be aligned horizontally and vertically. Make sure that the cabinet is correctly ventilated according to ventilation slots below.

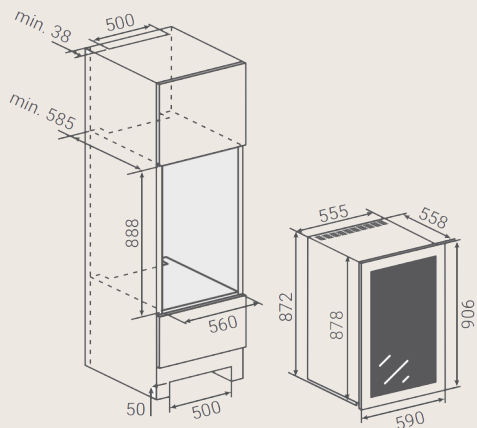
MLWC60AN / MLWC60ZW



Length of power cord: **200cm**

Maximum door opening angle: **100°**

MLWC88AN / MLWC88ZW



Length of power cord: **200cm**

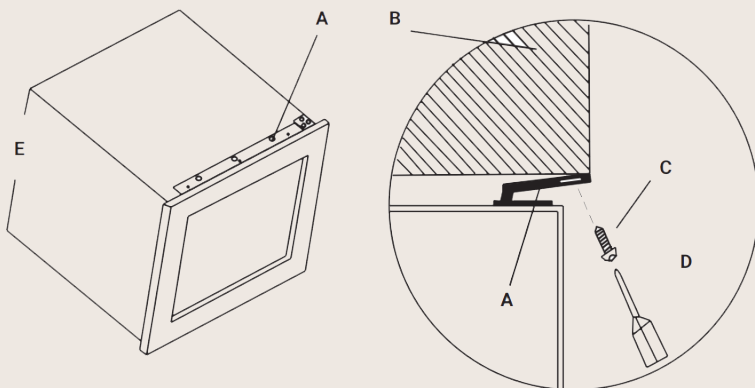
Maximum door opening angle: **100°**

2.5 Fixing the top bracket

After the wine cooler is placed into kitchen cabinet, adjust the top bracket (A) close to the front of the kitchen cabinet (B).

Fix the 3x screws through the top bracket (A) into kitchen cabinet (B).

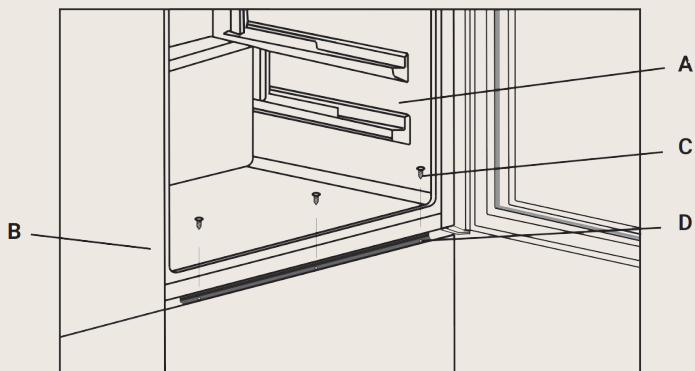
- A. Top Bracket** **B. Kitchen Cabinet** **C. Screws** **D. Screwdriver**
E. Wine cooler



2.6 Fixing the bottom bracket

Fix the 3x screws through the bottom bracket (D) into kitchen cabinet (B).

- A. Wine cooler** **B. Kitchen Cabinet** **C. Screws** **D. Bottom bracket**



2.7 Permitted room temperature

The permitted room temperature depends on the appliance's climate class. The climate class can be found on the rating plate on the side of the cabinet.


Climate Class	Permitted room temperature
SN	10°C – 32°C
N	16°C – 32°C
ST	16°C – 38°C
T	16°C – 43°C
SN-ST	10°C – 38°C
SN-T	10°C – 43°C


The appliance is fully functional within the permitted room temperature. If an appliance with climate class SN is operated at colder room temperatures, the appliance will not be damaged up to a room temperature of 5 °C.

3. Usage of product


3.1 Touch control keys and symbols




 To switch the wine cabinet on/off. Press and hold this button for approximately 1 second to turn the wine cabinet on. Press and hold this button for approximately 3 seconds to turn the wine cabinet off.

 To turn the lock function on/off. Press and hold this button for approximately 3 seconds to activate/deactivate. When activated the symbol will illuminate.

+/- Press this button to raise the temperature in 1°C increments. Once the temperature reaches the highest temperature value for the upper zone or lower zone, it will revert back to its lowest temperature value.

 Upper zone = 5 -10°C

 Lower zone = 10 -18°C

Once the required temperature is selected, the LED display will temporarily flash for 5 seconds, then reverts back to the normal display, and the temperature is now set.

Note:

Press and hold **+/-** for 3 seconds, to change the display from °C to °F.



This button is used to toggle between the different light functions. When selected, the relevant symbol will illuminate:



The internal light will switch on when the door is opened, and off when the door is closed.





The internal light is continuously on. However after 3 minutes the light will dim.



The internal light will remain on for 10 minutes once the door is closed and then turn off.



This symbol indicates the brightness adjuster: Hold the light key for 3 seconds until  flashes. Then use the **+/-** keys to adjust the brightness of the internal light.

 This Button is used to toggle between the different operational functions. When selected the relevant symbol will illuminate:



Standard Mode – Select this function to operate the wine cabinet in standard mode.



ECO Mode – An energy saving mode where both the inner light and control panel lights are off. The LED display is also switched off, until you change the temperature using the +/- and +/- keys, this will be displayed for 5 seconds and then switch off again. The compressor is also delayed 5 minutes in order to save energy.



Intelligent mode – In Intelligence mode, the wine cabinet will adjust the fan speed according to the ambient temperature. This will reduce noise levels and save money.



DEMO Mode – When Demo mode is selected, the compressor and PTC heater will be disabled, and the fan input voltage reduces to 9V. The HI/LO temperature alarm is also disabled during DEMO mode.



The cooling symbol will illuminate to show when the wine cabinet is currently cooling.



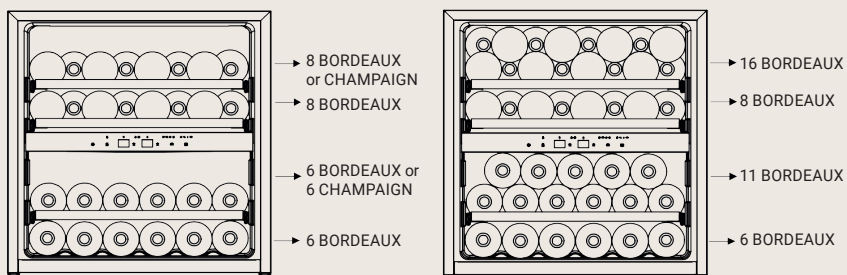
The alarm symbol will illuminate to show the alarm is on. This will activate when either the door has been left open for a long period of time, or the temperature has fluctuated too high or low (HI or LO will also show in display to confirm this).

3.2 Bottle stacking MLWC60

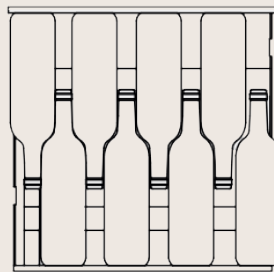
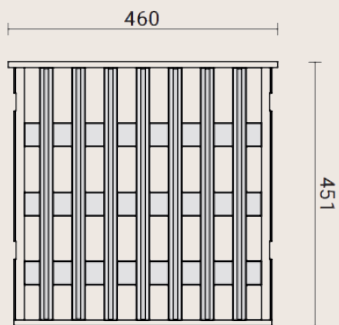
The maximum storage capacity for Bordeaux style of bottles (0,75L) is 41 bottles. It is possible to store Champaign / Magnum size bottles. To make this possible, the upper rack in the lowest zone needs to be removed. Please see section 2.4 how storage racks can be removed.

Note:

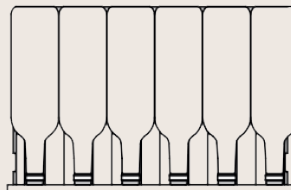
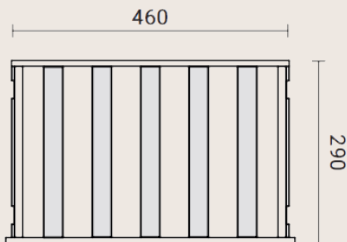
If you wish to store other type of bottles, the maximum storage capacity will be less than as shown above.



Upper zone



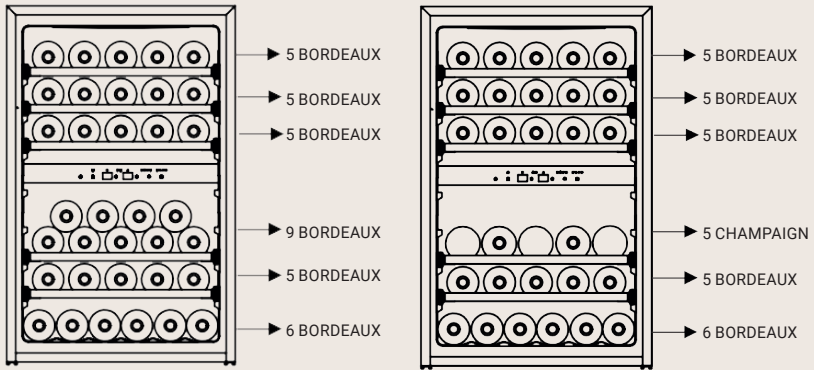
Lower zone



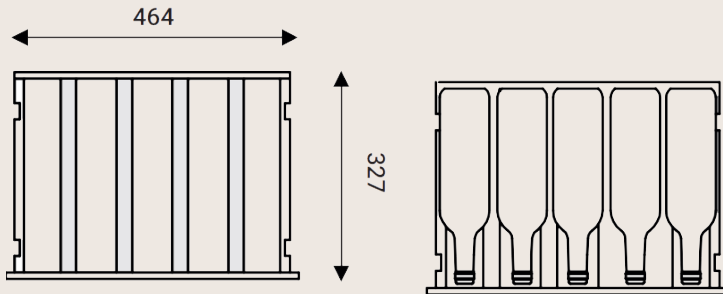
3.3 Bottle stacking MLWC88

The maximum storage capacity for Bordeaux style of bottles (0,75L) is 41 bottles. It is possible to store Champaign bottles on the upper shelf of the lower zone.

Note:
If you wish to store other type of bottles, the maximum storage capacity will be less than as shown above.



Lower + Upper zone



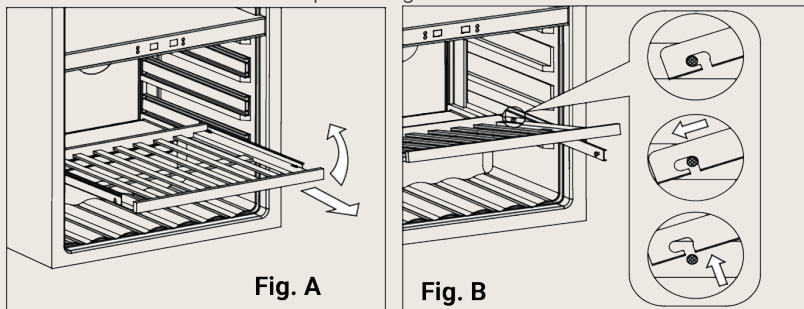
3.4 Using and removing the shelves

To prevent damaging the door gasket, make sure to have the door opened fully when pulling shelves out of the rail compartment. The shelves are attached to telescopic rail system for easy stacking or pulling out bottles.

Glass shelves are available if you wish to store cans or smaller bottles in your wine cabinet. These can be purchased directly from www.boretti.com

Removing the shelf

1. Fully extend the shelf you wish to remove.
2. Lift the front of the shelf up to remove from the front clips. As fig. **A**.
3. Holding onto the shelf runner, push the shelf in and then pull up at the back to release from the rear clips. As Fig. **B**.



3.5 Ideal storage climate for wines

There are four points that ensures a perfect climate to preserve wines in an optimal condition.

Constant Temperature

Boretti wine cabinets maintain precise temperatures between 5 °C to 18 °C. Minimising the temperature variance is most important when it comes to long term storage to ensure wine matures correctly.

The ideal long term storage temperature for wine is between +10 °C and +12 °C. It is critical that the temperature is kept as constant as possible because this is the only way that a wine's natural harmony will be preserved.

The lower zone can be used to store wine for longer terms. The upper zone has a temperature range from 5 °C till 10 °C and is ideal to keep wines on serving temperatures.

*** Sparkling wines;**

- Champaign (**8°C**)
- Prosecco, (**7-8°C**)
- Muscat (**7-8°C**)
- Cava (**5-6°C**)

*** White wines:**

- Pinot Grigio (**8°C**)
- Pinot Blanc (**8°C**)
- Sauvignon Blanc (**9°C**)
- Chardonnay (**10°C**)
- Full-bodied Chardonnay (**12°C**)

*** Light-to-medium bodied reds:**

- Chianti (**15°C**)
- Pinot Noir (**16°C**)
- Merlot (**16°C**)
- Rioja (**16°C**)
- Bordeaux (**16°C**)

*** Full-bodied reds:**

- Cabernet Sauvignon (**17°C**)
- Red Burgundy (**17°C**)
- Barolo (**17°C**)
- Brunello (**17°C**)
- Grand Cru Bordeaux (**18°C**)

Vibration Free

To prevent wine from being disturbed all compressors are mounted on isolation blocks designed to absorb any vibration.

UV Protection

All Boretti glass door wine cabinet are tinted and double glazed to prevent harmful ultraviolet rays causing discoloration to labels and unwanted reactions to your wine.

Perfect Air Quality

The MLWC82 wine cabinet has an charcoal filter to assist in maintaining perfect air quality which is vital for preserving and maturing wine.

4. Care & Cleaning

4.1 Cleaning your wine cabinet

- * Turn off the power, unplug the appliance, and remove all items including shelves and rack.
- * Wash the inside surfaces with a warm water and natural mild soap solution.
- * Wash the shelves with a mild detergent solution.
- * Wring excess water out of the sponge or cloth when cleaning area of the controls. Do not clean electrical parts, like the fans.

4.2 Power failure

Most power failures are corrected within a few hours and should not affect the temperature of your appliance if you minimise the number of times the door is opened. If the power is going to be off for a longer period of time, you need to take the proper steps to protect your contents.

4.3 Holidays

Short Holidays: Leave the wine cabinet operating during holidays of less than three weeks.

Long Holidays: If the appliance will not be used for several months, remove all items and turn off the appliance. Clean and dry the interior thoroughly. To prevent odour and mould growth, leave the door open slightly (blocking it open if necessary).

4.4 Moving your wine cooler

- * Remove all items.
- * Securely tape down all loose items (shelves) inside your appliance.
- * Turn the adjustable leg up to the base to avoid damage.
- * Tape the door shut.
- * Be sure the appliance stays secure in the upright position during transportation. Also protect the outside of appliance with a blanket, or similar item.

4.5 Defrosting/Condensation

Your wine cabinet is designed with an "Auto-cycle" defrost system. When the RUN cycle is OFF, the refrigerated surface of the wine cabinet (interior rear wall) defrosts automatically. The defrosted water is channeled into a drain pan which is located at the back of the cabinet next to the compressor from where it evaporates.

5. Troubleshooting

5.1 Problem solving

You can solve many common wine cabinet problems easily, saving you the cost of a possible service call. Try the suggestions below to see if you can solve the problem before calling Boretti Service department.

PROBLEM	POSSIBLE CAUSE
Wine cooler does not operate.	<ul style="list-style-type: none"> * Not plugged in. * The appliance is turned off. * The circuit breaker tripped or a blown fuse.
Wine cooler is not cold enough.	<ul style="list-style-type: none"> * Check the temperature control setting. * External environment may require a higher setting. * The door is opened too often. * The door is not closed completely. * The door gasket does not seal properly.
Turns on and off frequently.	<ul style="list-style-type: none"> * The room temperature is hotter than normal. * A large amount of contents has been added to the Wine cooler. * The door is opened too often. * The door is not closed completely. * The temperature control is not set correctly. * The door gasket does not seal properly.
The light does not work.	<ul style="list-style-type: none"> * Not plugged in. * The circuit breaker tripped or a blown fuse. * The bulb has burned out. * The light button is "OFF".
Vibrations.	<ul style="list-style-type: none"> * Check to assure that the Wine cooler is level.
The Wine cooler seems to make too much noise.	<ul style="list-style-type: none"> * The rattling noise may come from the flow of the refrigerant, which is normal. * As each cycle ends, you may hear gurgling sounds caused by the flow of refrigerant in your Wine cooler. * Contraction and expansion of the inside walls may cause popping and crackling noises. * The Wine cooler is not level.
The door will not close properly.	<ul style="list-style-type: none"> * The Wine cooler is not level. * The door was reversed and not properly installed. * The gasket is dirty. * The shelves are out of position.

If the above table has not solved the problem please contact Boretti Service Center by phone on or by email service@boretti.com. The product model name is displayed on the side of your Wine Cabinet.

Humidity system

The wine cabinet is equipped with a system for maintaining the correct level of humidity. If humidity is too low, insert the small plastic reservoir on to the top shelf. Fill this reservoir 3/4 full with water. Check the water level occasionally and refill as necessary.

5.2 Error code list

Code	Representation	Solution
E1	Upper compartment sensor open circuit	Contact the Boretti Service Department.
E2	Upper compartment sensor short circuit	Contact the Boretti Service Department.
E3	Lower compartment sensor open circuit	Contact the Boretti Service Department.
E4	Lower compartment sensor short circuit	Contact the Boretti Service Department.
E7	Defrost sensor open circuit	Contact the Boretti Service Department.
E8	Defrost sensor short circuit	Contact the Boretti Service Department.
HI	Inner temperature too high	Shut off the Cabinet for 1 hour. If the problem repeats, please contact the Boretti Service Department.
LO/CL	Inner temperature too low	Shut off the Cabinet for 1 hour. If the problem repeats, please contact the Boretti Service Department.



Passione in Cucina



HANDLEIDING
MLWC60AN/MLWC88AN
MLWC60ZW/MLWC88ZW

NL | GEBRUIKSAANWIJZING

www.boretti.com

Inleiding

Gefeliciteerd! U bent nu de officiële eigenaar van een Boretti-wijnkast. In de komende jaren zult u ontdekken dat het gebruik van een Boretti-wijnkast een nieuwe dimensie geeft aan koelen. Wij raden u aan deze handleiding aandachtig door te lezen voordat u de kast in gebruik neemt om alle mogelijkheden van dit prachtige apparaat te leren kennen. Informeer ons alstublieft bij vragen. U bent te allen tijde welkom in ons Experience Center, wij inspireren u graag en helpen u met uw vragen.

Wij wensen u veel koelplezier! Geniet van de aperitivo's en diners als nooit tevoren!

Boretti


Productregistratie

Om uw eigendom te registreren, gelieve het online registratieformulier op www.boretti.com invullen.

Inhoudsopgave

* 1. Belangrijke veiligheidsvraagstukken.....	28
* 2. Installatie.....	31
* 3. Gebruik van het product.....	37
* 4. Onderhoud & reiniging.....	43
* 5. Verhelpen van storingen	44

1. Belangrijke veiligheidsvraagstukken

- * Om schade aan de deur en de pakking te voorkomen, moet u ervoor zorgen dat de deur volledig geopend is voordat u schappen uittrekt.
- * Verplaats de wijnkast niet wanneer deze met wijn is geladen, u zou het apparaat kunnen vervormen.
- * Als het netsnoer beschadigd raakt, mag het alleen door de fabrikant of door een deskundig persoon worden vervangen.
- * Laat kinderen nooit met het apparaat spelen.
- * Reinig de onderdelen van het apparaat nooit met ontvlambare vloeistoffen.
- * Bewaar of gebruik geen benzine of andere brandbare dampen en vloeistoffen in de buurt van dit of een ander apparaat. Dit kan brand of een explosie veroorzaken.
- * Vergeet niet om de stekker uit het stopcontact te halen voordat u het apparaat reinigt. Bij het loskoppelen van het elektriciteitsnet, trek aan de stekker, niet aan het netsnoer.
- * Gebruik geen andere elektrische apparaten in de wijnkast.
- * Alle reparaties moeten worden uitgevoerd door een erkend onderhoudsmonteur. Onjuiste reparaties kunnen leiden tot een grote bron van gevaar voor de gebruiker en het vervallen van de garantie.
- * Berg nooit iets op dat gevaarlijk is in het apparaat, zoals brandbaar materiaal, explosieven, sterke zuren of alkali etc.
- * Houd ventilatieopeningen altijd vrij van obstakels. Mochten ze verstopt raken, maak ze dan meteen vrij.
- * Zorg ervoor dat de stekker op een toegankelijke plaats is als de installatie is voltooid.
- * Gebruik dit apparaat uitsluitend voor huishoudelijke doeleinden in overeenstemming met deze gebruiksaanwijzing.
- * De wijnkast is geschikt voor het opslaan van wijn (of andere dranken). Hij is niet geschikt voor het bewaren van vers of bevroren voedsel.
- * Als het koelmiddel van deze apparaten R600a is, mogen brandbare en explosieve voorwerpen niet in of in de buurt van de kast worden geplaatst om brand of een explosie te voorkomen. 

Waarschuwing

Zorg ervoor dat het koelcircuit niet beschadigd raakt tijdens het gebruik of de installatie van het apparaat. Als het beschadigd raakt, mag u het apparaat niet gebruiken totdat u hiertoe wordt geïnstrueerd door een onderhoudstechnicus. Koelmiddel kan ontbranden of schade aan het oog veroorzaken bij het lekken.

Milieubescherming

Afgedankte elektrische producten mogen niet met het huisvuil worden weggegooid. Gelieve te recyclen waar er faciliteiten zijn. Neem contact op met uw plaatselijke overheid of winkelier voor advies over recycling. Dit apparaat is gemarkeerd overeenkomstig de Europese richtlijn betreffende afgedankte elektrische en elektronische apparatuur (WEEE). Door ervoor te zorgen dat dit product op de juiste manier wordt verwerkt, helpt

u mogelijk negatieve gevolgen voor het milieu en de menselijke gezondheid te voorkomen, die anders worden veroorzaakt door onjuiste afvalverwerking van dit product. Het symbool op het product geeft aan dat dit product niet als huishoudelijk afval mag worden behandeld. In plaats daarvan moet het worden ingeleverd bij een verzamelpunt voor recycling van elektrische en elektronische apparatuur. Verwijdering moet worden uitgevoerd in overeenstemming met de plaatselijke milieuvorschriften voor afvalverwijdering. Voor nadere informatie over de behandeling, terugwinning en recycling van dit product kunt u contact opnemen met uw gemeente, uw afvalophaaldienst of de winkelier waar u het product heeft gekocht.



CE-verklaring van overeenstemming

Hierbij verklaart Boretti B.V. dat dit apparaat is vervaardigd volgens de normen van de CE-richtsnoeren en richtlijnen die van toepassing zijn voor CE-conformiteit.



Garantie

Uw nieuwe wijnkast valt onder de garantie. Registratie kan online worden voltooid op www.boretti.com. Reserveonderdelen zijn alleen verkrijgbaar bij de afdeling Boretti Service en bij geautoriseerde wederverkopers met reserveonderdelen.

Technische fiche

Dit apparaat voldoet aan alle huidige en geldende energievoorschriften. Bezoek de productpagina op onze website www.boretti.com om de technische fiche te bekijken die de energielabelgegevens ondersteunt. Of scan de QR-code om contact op te nemen met de EPREL-database.



MLWC60AN



MLWC60ZW



MLWC88AN



MLWC88ZW

2. Installatie

2.1 Vóór gebruik

Voordat u de wijnkast aansluit op de stroombron, moet u deze ten minste 6 uur rechtop laten staan. Dit vermindert de mogelijkheid van een storing in het koelsysteem als gevolg van het transport.

Reinig de binnenkant met lauw water met behulp van een zachte doek.

Lees de instructies bij het apparaat door – het niet installeren of gebruiken van het apparaat in overeenstemming met de instructies kan de garantie ongeldig maken.

Boretti aanvaardt geen aansprakelijkheid voor schade die veroorzaakt is door oneigenlijk gebruik of onjuiste installatie. Installeer dit apparaat niet als het tijdens het transport beschadigd is. Dit geldt ook voor de stekker en het netsnoer.

Bewaar deze instructies op een veilige plaats voor toekomstig gebruik.

2.2 Installatie van de wijnkast

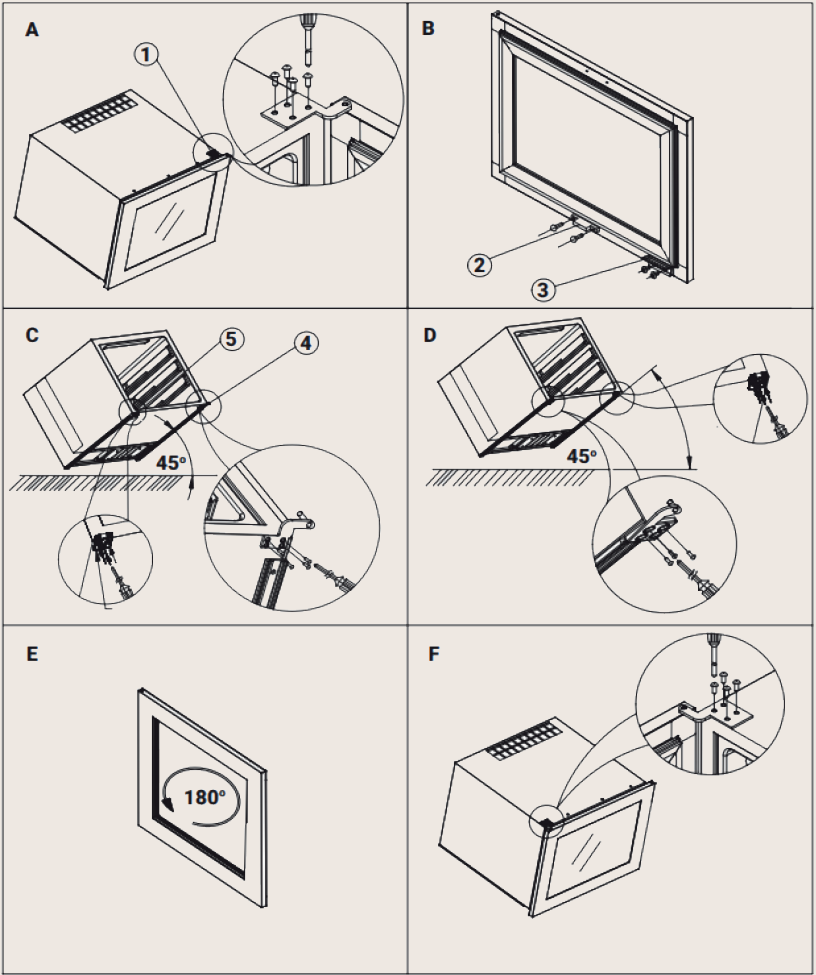
1. Dit apparaat is ontworpen voor gebruik in een kolomkast (geheel verzonken).
2. Dit apparaat maakt gebruik van brandbaar koudemiddel. Beschadig de koelleidingen nooit tijdens transport en installatie.
3. **Plaats uw wijnkoeler op een kaststelling die sterk genoeg is om het te ondersteunen wanneer het volledig geladen is.**
4. Plaats het apparaat niet in een vochtige omgeving.
5. Steek de stekker van de wijnkast in een geschikt stopcontact. Mocht de stekker vervangen moeten worden, neem dan contact op met een bevoegd onderhoudstechnicus.
6. Zorg ervoor dat het product goed wordt geventileerd (zie paragraaf 1.5).
7. Sluit de wijnkast aan op een exclusief, correct geïnstalleerd geaard stopcontact. Knip of verwijder onder geen enkele omstandigheid de derde (geaarde) pool van de stekker. Eventuele vragen over stroom en/of aarding moeten gericht worden aan een gecertificeerde elektricien of de afdeling Klantenservice Boretti.

2.3 Het wijzigen van de deuropening MLWC60/MLWC88

Dit apparaat heeft omkeerbare deuren, maar wordt geleverd met de deur linksdraaiend. Volg de onderstaande instructies voor het veranderen van de deur naar rechtsdraaiend.

1. Bovenste scharnier 2. Deurlichtschakelaar 3. Locatieplaat 4. Onderste scharnier 5. Steun

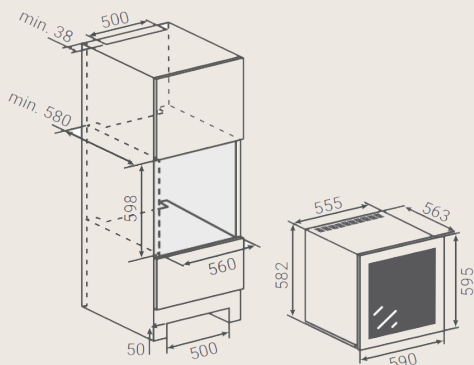
- * Plaats de kast op een zacht oppervlak en plaats de voorkant op een mathoogte van 200 mm om de kast te ondersteunen. Dit wordt gebruikt om schade aan de deur te voorkomen, omdat de deur groter is dan de kast.
- * **(Fig.A)**; Open de deur in een hoek van 90°. Verwijder de 4 schroeven en het bovenste scharnier **(1)** rechtsboven in de kast. Haal de deur van de kast af en zet de deur op een plaats waar deze niet kan worden beschadigd
- * **(Fig.B)**; Verwijder de deurlichtschakelaar **(2)** met 2 schroeven vanaf de onderkant van de deur. Monteer vervolgens de deurlichtschakelaar **(2)** met 2 schroeven in de tegenovergestelde richting; het midden van de bovenkant van de deur.
- * **(Fig.B)**; Verwijder de locatieplaat **(3)** met schroeven vanaf de rechteronderkant van de deur. Plaats vervolgens de locatieplaat met de schroef in de diagonale richting (linker bovenkant van de deur)
- * **(Fig.C, D)**; Laat de wijnkoeler 45 graden hellen. Verwijder de schroeven en het onderste scharnier **(4)** in de rechterbenedenhoek van de kast. Verwijder de schroeven en de ondersteuner **(5)** in de linkerbenedenhoek van de kast. Installeer vervolgens de ondersteuner **(4)** aan de rechteronderkant van de kast.
- * **(Afb. D)** Installeer het onderste scharnier **(4)** aan de linkeronderkant van de deur.
- * **(Fig.E)** Draai de deur 180°.
- * **(Afb. F)**; Installeer het bovenste scharnier **(1)** met de schroeven aan de linkerkant van de kast, lijn de deur uit met de kast



2.4 Afmetingen wanneer ingebouwd

Plaats de kast op een kastplank die sterk genoeg is om de kast te dragen wanneer deze volledig geladen is. De keukeneenheid moet horizontaal en verticaal worden uitgelijnd. Zorg ervoor dat de kast correct is geventileerd volgens de onderstaande ventilatiesleuven.

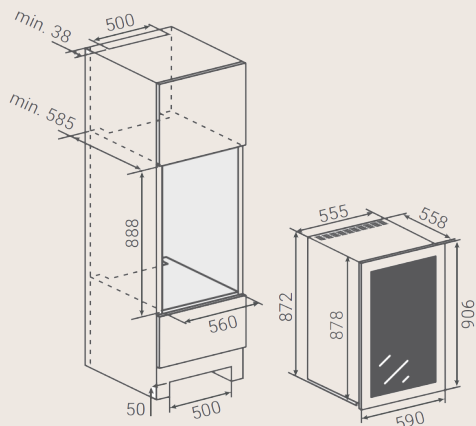
MLWC60AN/MLWC60ZW



Lengte van het netsnoer: **200cm**

Maximale openingshoek van de deur: **100°**

MLWC88AN/MLWC88ZW



Lengte van het netsnoer: **200cm**

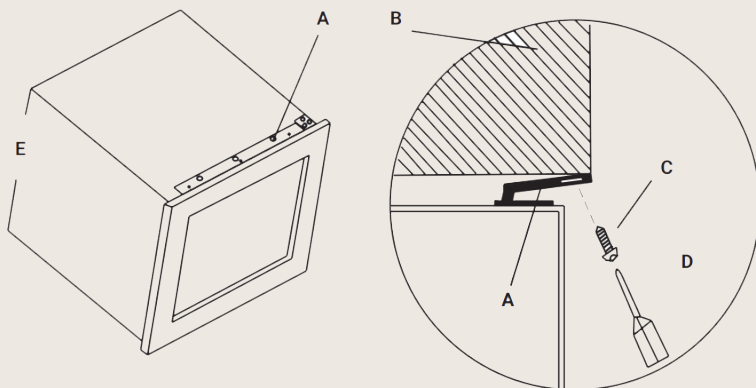
Maximale openingshoek van de deur: **100°**

2.5 Bevestiging van de bovenste beugel

Nadat de wijnkoeler in de keukenkast is geplaatst, stelt u de bovenste beugel (A) dicht af bij de voorkant van de keukenkast (B).

Bevestig de 3x schroeven door de bovenste beugel (A) in de keukenkast (B).

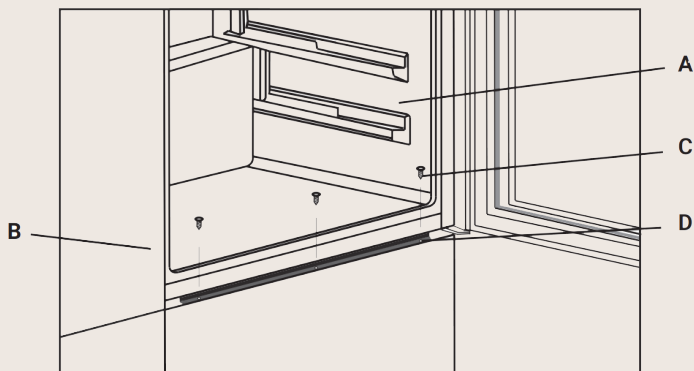
A. Bovenste beugel **B. Keukenkast** **C. Schroeven** **D. Schroevendraaier**
E. Wijnkoeler



2.6 Bevestiging van de onderste beugel

Bevestig de 3x schroeven door de onderste beugel (D) in de keukenkast (B).

A. Wijnkoeler **B. Keukenkast** **C. Schroeven** **D. Onderste beugel**



2.7 Toegestane ruimtetemperatuur

De toegestane ruimtetemperatuur is afhankelijk van de klimaatklasse van het apparaat. De klimaatklasse vindt u op het typeplaatje aan de zijkant van de kast.


Klimaatklasse	Toegestane ruimtetemperatuur
SN	10 °C – 32 °C
N	16 °C – 32 °C
ST	16 °C – 38 °C
T	16 °C – 43 °C
SN-ST	10 °C – 38 °C
SN-T	10 °C – 43 °C


Het apparaat is volledig functioneel binnen de toegestane kamertemperatuur. Als een apparaat met klimaatklasse SN bij lagere temperaturen wordt gebruikt, zal het apparaat niet worden beschadigd bij een kamertemperatuur van 5 °C.

3. Gebruik van het product


3.1 Aanraaktoetsen en symbolen




 Om de wijnkast in/uit te schakelen. Houd deze knop gedurende ongeveer 1 seconde ingedrukt om de wijnkast in te schakelen. Houd deze knop ongeveer 3 seconden ingedrukt om de wijnkast uit te schakelen.

 De vergrendelingsfunctie in- of uitschakelen. Houd deze knop ongeveer 3 seconden ingedrukt om de functie in/uit te schakelen. Indien geactiveerd, gaat het symbool branden.

+/- Druk op deze toets om de temperatuur in stappen van 1 °C te verhogen. Zodra de temperatuur de hoogste temperatuurwaarde voor de bovenste of onderste zone bereikt, keert deze terug naar de laagste temperatuurwaarde.


 Bovenste zone = 5 -10 °C


 Onderste zone = 10 -18 °C


Zodra de gewenste temperatuur is geselecteerd, zal het LED-display gedurende 5 seconden tijdelijk knipperen, keert dan terug naar de normale weergave en de temperatuur is nu ingesteld.

Opmerking:

Houd **+/-** gedurende 3 seconden ingedrukt om de weergave van °C naar °F te wijzigen.

 Met deze toets schakelt u tussen de verschillende lichtfuncties. Indien geselecteerd, gaat het betreffende symbool branden:


 De interne verlichting gaat aan wanneer de deur wordt geopend en gaat uit wanneer de deur wordt gesloten.

 De interne verlichting brandt continu. Na 3 minuten wordt het licht echter gedimd.



De interne verlichting blijft 10 minuten branden nadat de deur is gesloten en wordt vervolgens uitgeschakeld.



Dit symbool geeft de helderheidsregelaar aan: Houd de lichttoets gedurende 3 seconden ingedrukt totdat  knippert. Gebruik vervolgens de toetsen +/- om de helderheid van de interne verlichting aan te passen.



Met deze toets schakelt u tussen de verschillende bedieningsfuncties.

Indien geselecteerd, gaat het betreffende symbool branden:



Standard Mode – Selecteer deze functie om de wijnkast in de standaardmodus te bedienen.



ECO Mode – Een energiebesparende modus waarbij zowel het binnenlicht als het bedieningspaneel uit zijn. De LED wordt ook uitgeschakeld, totdat u de temperatuur verandert met de toetsen +/- en +/-; deze zal gedurende 5 seconden worden weergegeven en vervolgens weer worden uitgeschakeld. De compressor wordt ook 5 minuten vertraagd om energie te besparen.



Intelligent mode – In de modus Intelligentie past de wijnkast de ventilatorsnelheid aan volgens de omgevingstemperatuur. Dit zal het geluidsniveau verminderen en geld besparen.



DEMO Mode – Wanneer Demo mode geselecteerd is, zullen de compressor en de PTC-verwarming uitgeschakeld worden en de ingangsspanning van de ventilator verlaagd worden tot 9 V. Het HI/LO temperatuuralarm wordt ook uitgeschakeld in de DEMO-modus.



Het koelsymbool licht op om aan te geven wanneer de wijnkast momenteel afkoelt.



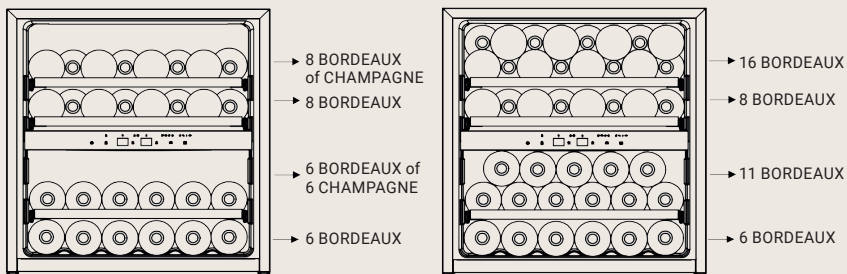
Het alarmsymbool gaat branden om aan te geven dat het alarm is ingeschakeld. Dit wordt geactiveerd als de deur gedurende een langere periode open is gebleven of als de temperatuur te hoog of te laag is (HI of LO wordt ook in de display getoond om dit te bevestigen).

3.2 Flessen stapelen MLWC60

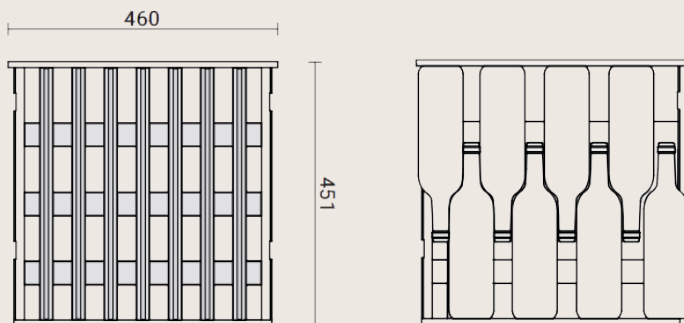
De maximale opslagcapaciteit voor flessen in bordeaux-stijl (0.75 L) is 41 flessen. U kunt flessen van het formaat champagne/magnum opslaan. Om dit mogelijk te maken, moet het bovenste rek in de laagste zone worden verwijderd. Zie sectie 2.4 hoe opslagrekken kunnen worden verwijderd.

Opmerking:

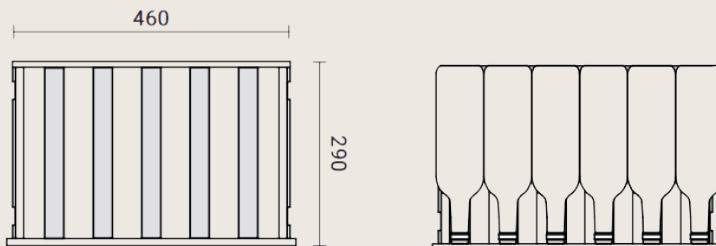
Als u een ander type flessen wenst op te slaan, zal de maximale opslagcapaciteit minder zijn dan zoals hierboven aangegeven.



Bovenste zone



Onderste zone

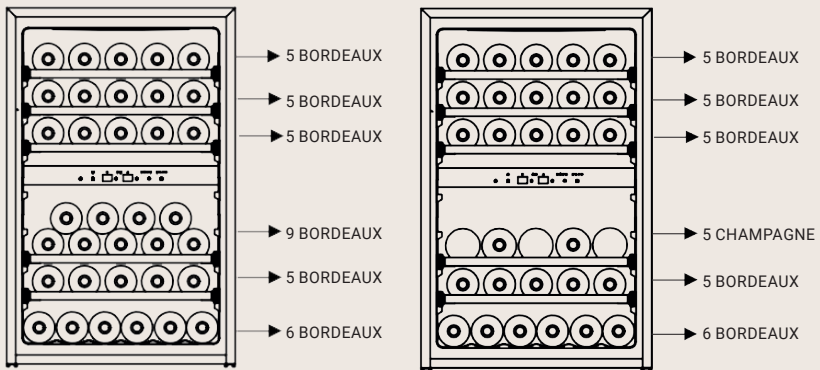


3.3 Flessen stapelen MLWC88

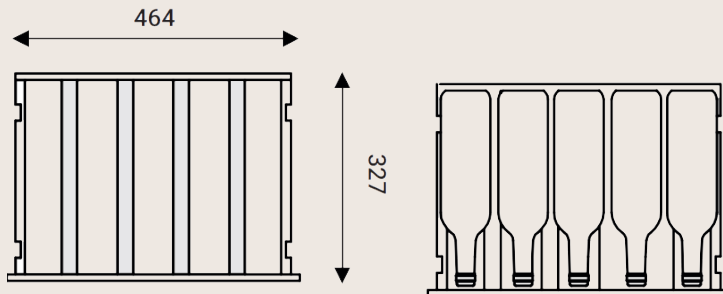
De maximale opslagcapaciteit voor flessen in bordeaux-stijl (0.75 L) is 41 flessen. Het is mogelijk om champagneflessen op het bovenste schap van de onderste zone op te bergen.

Opmerking:

Als u een ander type flessen wenst op te slaan, zal de maximale opslagcapaciteit minder zijn dan zoals hierboven aangegeven.



Onderste + bovenste zone



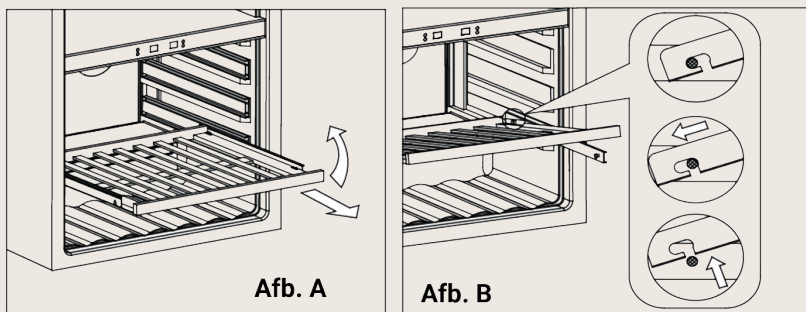
3.4 Gebruik en verwijdering van de schappen

Om schade aan de deurpakking te voorkomen, moet u ervoor zorgen dat de deur volledig geopend is wanneer u de schappen uit het railcompartiment trekt. De schappen zijn bevestigd aan het telescopisch railsysteem voor eenvoudig stapelen of uittrekken van flessen.

Glazen schappen zijn beschikbaar als u blikjes of kleinere flessen in uw wijnkast wilt bewaren. Deze kunt u rechtstreeks aanschaffen via www.boretti.com

Het schap verwijderen

1. Schuif het schap dat u wilt verwijderen volledig uit.
2. Til de voorkant van het schap omhoog om dit uit de voorste clips te verwijderen. Als afb. **A**.
3. Houd het schap vast, duw het schap naar binnen en trek het aan de achterkant omhoog om het los te maken van de achterste clips. Als afb. **B**.



3.5 Ideaal bewaarklimaat voor wijnen

Er zijn vier punten die een perfect klimaat garanderen om de wijnen in een optimale conditie te houden.

Constance temperatuur

Boretti-wijnkasten handhaven nauwkeurige temperaturen tussen 5 °C en 18 °C. Het minimaliseren van de temperatuurschommeling is het meest belangrijk als het gaat om langdurige opslag om ervoor te zorgen dat de wijnrijping correct verloopt.

De ideale opslagtemperatuur voor de lange termijn voor wijnen ligt tussen +10 °C en +12 °C. Het is van essentieel belang dat de temperatuur zo constant mogelijk wordt gehouden, omdat dit de enige manier is waarmee de natuurlijke harmonie van de wijn wordt behouden.

De onderste zone kan worden gebruikt om langdurig wijnen op te slaan. De bovenste zone heeft een temperatuurbereik van 5 °C tot 10 °C en is ideaal om de wijnen op serveertemperaturen te houden.

*** Mousseerende wijnen;**

- Champagne (**8 °C**)
- Prosecco, (**7-8 °C**)
- Muscat (**7-8 °C**)
- Cava (**5-6 °C**)

*** Witte wijnen:**

- Pinot Grigio (**8 °C**)
- Pinot Blanc (**8 °C**)
- Sauvignon Blanc (**9 °C**)
- Chardonnay (**10 °C**)
- Chardonnay met volle body (**12 °C**)

*** Rode wijnen met een lichte tot medium body:**

- Chianti (**15 °C**)
- Pinot Noir (**16 °C**)
- Merlot (**16 °C**)
- Rioja (**16 °C**)
- Bordeaux (**16 °C**)

*** Rood met een volle body:**

- Cabernet Sauvignon (**17 °C**)
- Rode Bourgogne (**17 °C**)
- Barolo (**17 °C**)
- Brunello (**17 °C**)
- Grand Cru Bordeaux (**18 °C**)

Trillingsvrij

Om te voorkomen dat wijn verstoord wordt, zijn alle compressoren op isolatieblokken gemonteerd die zijn ontworpen om eventuele trillingen te absorberen.

UV-bescherming

Alle Boretti-wijnkasten met glazen deur zijn gekleurd en voorzien van dubbele beglazing om schadelijke ultraviolette stralen te voorkomen die verkleuring aan labels en ongewenste reacties in uw wijn veroorzaken.

Perfecte luchtkwaliteit

De MLWC82-wijnkast heeft een koolstoffilter om te helpen bij het behouden van de perfecte luchtkwaliteit, die essentieel is voor het behoud en rijpen van wijn.

4. Onderhoud & reiniging

4.1 Uw wijnkast reinigen

- * Schakel de stroom uit, trek de stekker van het apparaat uit het stopcontact en verwijder alle voorwerpen, inclusief schappen en het rooster.
- * Was de binnenoppervlakken met warm water en een milde zeepoplossing.
- * Was de schappen met een mild schoonmaakmiddel.
- * Wring het overtollige water uit de spons of doek bij het reinigen van het gedeelte van de bedieningselementen. Reinig geen elektrische onderdelen, zoals de ventilatoren.

4.2 Stroomstoring

De meeste stroomstoringen worden binnen enkele uren gecorrigeerd en mogen de temperatuur van het apparaat niet beïnvloeden als u het aantal keer dat de deur geopend is tot een minimum beperkt. Als de stroom gedurende een langere periode wordt uitgeschakeld, moet u de juiste stappen ondernemen om uw inhoud te beschermen.

4.3 Vakanties

Korte vakanties: Laat de wijnkast draaien tijdens vakanties van minder dan drie weken.

Lange vakanties: Als het apparaat enkele maanden niet wordt gebruikt, verwijdert u alle onderdelen en schakelt u het apparaat uit. Reinig en droog het interieur grondig. Om geurvorming en schimmelaangroei te voorkomen, laat u de deur een beetje open (blokkeer de deur indien nodig).

4.4 Uw wijnkoeler verplaatsen

- * Verwijder alle items.
- * Plak alle losse voorwerpen (schappen) in het apparaat goed vast.
- * Draai de verstelbare poot omhoog naar de basis om schade te voorkomen.
- * Plak de deur dicht.
- * Zorg ervoor dat het apparaat goed rechtop blijft tijdens het transport. Bescherm de buitenkant van het apparaat ook met een deken of iets dergelijks.

4.5 Ontdooien/condensatie

Uw wijnkast is ontworpen met een "Auto-cycle"-ontdooisysteem. Wanneer de IN BEDRIJF-cyclus UIT is, wordt het gekoelde oppervlak van de wijnkast (achterwand binnen) automatisch ontdooid. Het ontdooid water wordt in een afvoerbak geleid die zich achterin de kast naast de compressor bevindt, van waaruit het verdampt.

5. Verhelpen van storingen

5.1 Problemen oplossen

U kunt veel voorkomende problemen met de wijnkast eenvoudig oplossen, waardoor u de kosten van een mogelijke serviceoproep bespaart. Probeer de onderstaande suggesties om te zien of u het probleem kunt oplossen voordat u contact opneemt met de service-afdeling van Boretti.

PROBLEEM	MOGELIJKE OORZAAK
Wijnkoeler werkt niet.	<ul style="list-style-type: none"> * Niet aangesloten. * Het apparaat is uitgeschakeld. * De stroomonderbreker is geactiveerd of een zekering is doorgebrand.
Wijnkoeler is niet koud genoeg.	<ul style="list-style-type: none"> * Controleer de instelling van de temperatuurregeling. * De externe omgeving kan een hogere instelling vereisen. * De deur wordt te vaak geopend. * De deur is niet volledig gesloten. * De deurpakking sluit niet goed af.
Schakelt regelmatig in en uit.	<ul style="list-style-type: none"> * De kamertemperatuur is warmer dan normaal. * Er is een grote hoeveelheid inhoud toegevoegd aan de wijnkoeler. * De deur wordt te vaak geopend. * De deur is niet volledig gesloten. * De temperatuurregeling is niet correct ingesteld. * De deurpakking sluit niet goed af.
Het lampje werkt niet.	<ul style="list-style-type: none"> * Niet aangesloten. * De stroomonderbreker is geactiveerd of een zekering is doorgebrand. * De lamp is doorgebrand. * De lichtknop is "UIT".
Trillingen.	<ul style="list-style-type: none"> * Controleer of de wijnkoeler waterpas is.
De wijnkoeler maakt te veel geluid.	<ul style="list-style-type: none"> * Het ratelende geluid kan komen door het stromen van het koelmiddel, wat normaal is. * Wanneer elke cyclus eindigt, kunt u borrelende geluiden horen die worden veroorzaakt door de stroming van het koelmiddel in de wijnkoeler. * Contractie en uitzetten van de binnenwanden kan leiden tot knallen en krakende geluiden. * De wijnkoeler staat niet waterpas.
De deur sluit niet goed.	<ul style="list-style-type: none"> * De wijnkoeler staat niet waterpas. * De deur is omgedraaid en niet correct geïnstalleerd. * De pakking is vuil. * De schappen zitten niet op hun plaats.

Als de bovenstaande tabel het probleem niet heeft verholpen, neemt u telefonisch contact op met het Boretti Service Center of via e-mail service@boretti.com. De productnaam wordt weergegeven aan de zijkant van uw wijnkast.

Luchtvochtigheidssysteem

De wijnkast is uitgerust met een systeem voor het handhaven van de juiste luchtvochtigheid. Als de luchtvochtigheid te laag is, plaatst u het kleine plastic reservoir op het bovenste schap. Vul dit reservoir 3/4 vol met water. Controleer regelmatig het waterpeil en vul bij indien nodig.

5.2 Foutcodelijst

Code	Representatie	Oplossing
E1	Bovenste compartiment sensor open circuit	Neem contact op met de service-afdeling van Boretti.
E2	Bovenste compartiment sensor kortsluiting	Neem contact op met de service-afdeling van Boretti.
E3	Onderste compartiment sensor open circuit	Neem contact op met de service-afdeling van Boretti.
E4	Onderste compartiment sensor kortsluiting	Neem contact op met de service-afdeling van Boretti.
E7	Ontdooi sensor open circuit	Neem contact op met de service-afdeling van Boretti.
E8	Ontdooi sensor kortsluiting	Neem contact op met de service-afdeling van Boretti.
HI	Binnentemperatuur te hoog	Schakel de kast gedurende 1 uur uit. Als het probleem zich herhaalt, neem dan contact op met de service-afdeling van Boretti.
LO/CL	Binnentemperatuur te laag	Schakel de kast gedurende 1 uur uit. Als het probleem zich herhaalt, neem dan contact op met de service-afdeling van Boretti.



Passione in Cucina



HANDBUCH
MLWC60AN / MLWC88AN
MLWC60ZW / MLWC88ZW

DE | BENUTZERHANDBUCH

www.boretti.com

Einführung

Herzlichen Glückwunsch! Sie sind nun offizieller Eigentümer eines Boretti-Weinschranks. In den kommenden Jahren werden Sie entdecken, dass der Gebrauch eines Boretti-Weinschranks dem Kühlen von Wein eine neue Dimension verleiht. Wir empfehlen Ihnen, dieses Handbuch sorgfältig zu lesen, bevor Sie den Schrank in Betrieb nehmen, um alle Eigenschaften dieses fantastischen Geräts kennenzulernen. Bei Fragen wenden Sie sich bitte an uns. Besuchen Sie auch jederzeit unser Experience Center. Wir würden uns freuen, Sie inspirieren zu dürfen und Ihnen bei Fragen zu helfen.

Wir wünschen Ihnen viel Freude beim Kühlen Ihres Weins! Genießen Sie Aperitif und Mahlzeiten wie nie zuvor!

Boretti

Produktregistrierung

Um sich als Eigentümer zu registrieren, füllen Sie bitte das Online-Registrierungsformular auf www.boretti.com aus.

Inhaltsverzeichnis

* 1. Wichtige Sicherheitshinweise	50
* 2. Installation	53
* 3. Verwendung des Produkts	59
* 4. Pflege & Reinigung	65
* 5. Fehlersuche	66

1. Wichtige Sicherheitshinweise

- * Um Schäden an Tür und Türdichtung zu vermeiden, achten Sie darauf, dass die Tür vollständig geöffnet ist, bevor Sie eine Ablage herausziehen.
- * Bewegen Sie den Weinschrank nicht, wenn sich Weinflaschen darin befinden, da sich das Gerät dadurch verformen könnte.
- * Wenn das Netzkabel beschädigt wird, darf es nur durch den Hersteller oder eine qualifizierte Person ersetzt werden.
- * Erlauben Sie Kindern niemals, mit dem Gerät zu spielen.
- * Reinigen Sie niemals Teile des Geräts mit brennbaren Flüssigkeiten.
- * Lagern oder verwenden Sie kein Benzin oder andere entzündliche Gase und Flüssigkeiten in der Nähe dieses oder anderer Geräte. Dies kann zu einer Brandgefahr oder Explosion führen.
- * Denken Sie stets daran, das Gerät vor der Reinigung vom Stromnetz zu trennen. Ziehen Sie beim Trennen von der Stromversorgung am Stecker und nicht am Netzkabel.
- * Verwenden Sie im Innern des Weinschranks keine elektrischen Geräte.
- * Alle Reparaturen müssen von einem qualifizierten Servicetechniker durchgeführt werden. Unsachgemäße Reparaturen können zu einer großen Gefahrenquelle für den Benutzer führen und alle Garantieansprüche ungültig machen.
- * Lagern Sie keine gefährlichen Gegenstände im Gerät, wie z. B. brennbare oder explosionsfähige Stoffe, starke Säuren oder Laugen usw.
- * Halten Sie alle Belüftungsöffnungen frei. Wenn diese blockiert sind, reinigen Sie sie umgehend.
- * Vergewissern Sie sich, dass der Stecker zugänglich ist, nachdem die Installation abgeschlossen wurde.
- * Verwenden Sie das Gerät nur für den häuslichen Gebrauch und in Übereinstimmung mit dieser Anleitung.
- * Der Weinschrank ist für die Aufbewahrung von Weinen (oder anderen Getränken in Flaschen) geeignet. Er ist nicht für die Aufbewahrung von frischen oder gefrorenen Lebensmitteln geeignet.
- * Wenn im Gerät das Kältemittel R600a verwendet wird, dürfen keine brennbaren und explosiven Gegenstände im Schrank oder in der Nähe aufbewahrt werden, um einen Brand oder eine Explosion zu vermeiden.



Warnung

Achten Sie darauf, dass der Kältemittelkreislauf während der Verwendung oder Installation des Geräts nicht beschädigt wird. Sollte der Kreislauf beschädigt werden, verwenden Sie das Gerät erst wieder, wenn ein Servicetechniker dies freigegeben hat. Wenn Kältemittel austritt, kann es sich entzünden oder Augenschäden verursachen.

Umweltschutz

Alte Elektrogeräte dürfen nicht mit dem Hausmüll entsorgt werden. Führen Sie Altgeräte dem Recycling zu, wenn eine Sammelstelle vorhanden ist. Hinweise zum Recycling erhalten Sie von Ihren Behörden vor Ort oder beim Händler. Dieses Gerät ist gemäß der Europäischen Richtlinie über Elektro- und Elektronik-Altgeräte (WEEE) gekennzeichnet. Indem Sie für eine ordnungsgemäße Entsorgung dieses Geräts sorgen, helfen Sie bei der Vermeidung möglicher negativer Folgen für die Umwelt und die menschliche Gesundheit, die andernfalls durch ein unsachgemäßes Vorgehen bei der Entsorgung dieses Geräts verursacht werden können. Das Symbol auf dem Gerät weist darauf hin, dass dieses Gerät nicht mit dem Hausmüll entsorgt werden darf. Stattdessen muss es der zuständigen Sammelstelle für das Recycling von elektrischen und elektronischen Geräten übergeben werden. Die Entsorgung muss gemäß den örtlich geltenden Umweltschutzvorschriften zur Abfallentsorgung durchgeführt werden. Weitere Informationen zur Behandlung, Verwertung und zum Recycling dieses Geräts erhalten Sie bei Ihrer Gemeinde, Ihrem Entsorgungsunternehmen oder dem Händler, bei dem Sie das Gerät erworben haben.

**CE-Konformitätserklärung**

Hiermit erklärt Boretti B.V., dass dieses Gerät gemäß den Normen der CE-Richtlinien und den für die CE-Konformität geltenden Verordnungen hergestellt wurde.

**Garantie**

Ihr neuer Weinschrank ist von einer Garantie abgedeckt. Sie können die Registrierung dafür online auf www.boretti.com vornehmen. Ersatzteile sind nur beim Boretti-Kundendienst und bei autorisierten Ersatzteihändlern erhältlich.

Technisches Datenblatt

Dieses Gerät entspricht allen aktuell geltenden Energievorschriften. Um das technische Datenblatt abzurufen, das den Energiekennndaten zugrunde liegt, besuchen Sie bitte die Produktseite auf unserer Website www.boretti.com. Oder scannen Sie den QR-Code, um die EPREL-Datenbank aufzurufen.



MLWC60AN



MLWC60ZW



MLWC88AN



MLWC88ZW

2. Installation

2.1 Vor der Verwendung

Bevor Sie den Weinschrank mit der Stromquelle verbinden, lassen Sie ihn mindestens 6 Stunden aufrecht stehen. Das verringert die Möglichkeit einer Störung im Kühlsystem aufgrund des Transports.

Reinigen Sie die Innenfläche mit lauwarmem Wasser und einem weichen Tuch.

Lesen Sie die mit dem Gerät mitgelieferte Anleitung – falls das Gerät nicht gemäß der Anleitung installiert oder verwendet wird, kann dies zum Erlöschen der Garantie führen.

Boretti übernimmt keine Haftung für Schäden, die durch unsachgemäße Verwendung oder eine falsche Installation verursacht wurden. Installieren Sie dieses Gerät nicht, wenn es während des Transports beschädigt wurde. Dies gilt auch für den Stecker und das Netzkabel.

Bitte bewahren Sie diese Anleitung zum späteren Nachschlagen an einem sicheren Ort auf.

2.2 Installation des Weinschranks

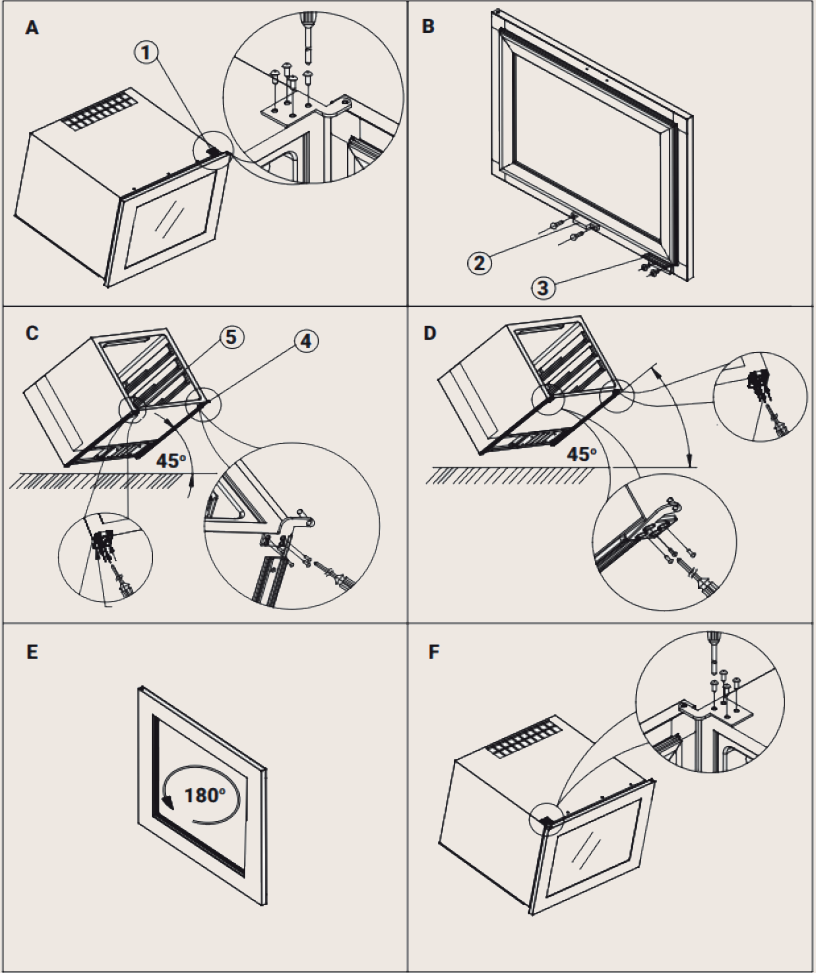
1. Dieses Gerät ist für den Einbau in einer Küchenzeile vorgesehen (vollständig versenkt).
2. Dieses Gerät verwendet brennbares Kältemittel. Vermeiden Sie während des Transports und der Installation unbedingt, die Kältemittelleitungen zu beschädigen.
3. **Platzieren Sie Ihren Weinschrank auf einem Regalbrett, das stark genug ist, um ihn zu tragen, auch wenn er voll beladen ist.**
4. Vermeiden Sie es, das Gerät in feuchten Umgebungen aufzustellen.
5. Stecken Sie den Stecker des Weinschranks in eine geeignete Steckdose. Sollte der Stecker ausgewechselt werden müssen, wenden Sie sich an einen qualifizierten Servicetechniker.
6. Stellen Sie sicher, dass das Produkt korrekt belüftet ist (siehe Abschnitt 1.5).
7. Schließen Sie den Weinschrank an eine eigene, ordnungsgemäß installierte und geerdete Wandsteckdose an. Schneiden oder entfernen Sie unter keinen Umständen den dritten (Erdungs-)Stift vom Stecker. Wenden Sie sich bei Fragen zur Stromversorgung und/oder Erdung an einen zertifizierten Elektriker oder den Boretti-Kundendienst.

2.3 Änderung der Türöffnung MLWC60 / MLWC88

Dieses Gerät verfügt über eine umkehrbare Tür, die bei Auslieferung links öffnet. Wenn Sie die Tür mit der Öffnung rechts verwenden möchten, befolgen Sie bitte die nachfolgenden Anweisungen.

1. Oberes Scharnier 2. Türlichtschalter 3. Gegenhalteplatte 4. Unteres Scharnier 5. Träger

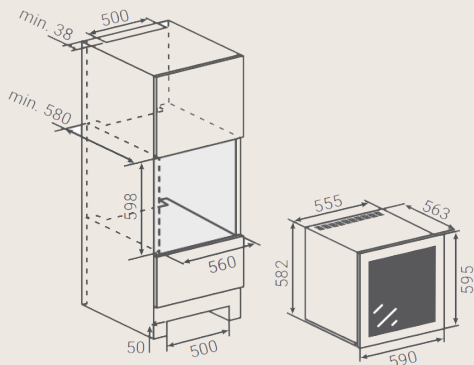
- * Stellen Sie den Schrank auf eine weiche Oberfläche und legen Sie vorne eine Matte von 200 mm Höhe unter, um den Schrank zu stützen. Dies dient dazu, eine Beschädigung der Tür zu verhindern, da die Tür größer als der Schrank selbst ist.
- * **(Abb. A)**; Öffnen Sie die Tür in einem Winkel von 90°. Entfernen Sie die 4 Schrauben und das obere Scharnier **(1)** rechts oben am Schrank. Nehmen Sie die Tür vom Schrank ab und stellen Sie sie so ab, dass sie nicht beschädigt werden kann.
- * **(Abb. B)**; Entfernen Sie den Türlichtschalter **(2)** mit den 2 Schrauben von der Unterseite der Tür. Bauen Sie dann den Türlichtschalter **(2)** mit den 2 Schrauben in entgegengesetzter Ausrichtung oben in der Mitte der Tür wieder an.
- * **(Abb. B)**; Entfernen Sie die Gegenhalteplatte **(3)** mit den Schrauben unten rechts an der Tür. Bringen Sie dann die Gegenhalteplatte mit den Schrauben an der diagonal gegenüberliegenden Stelle wieder an (oben links an der Tür).
- * **(Abb. C, D)**; Kippen Sie den Weinschrank um 45 Grad an. Entfernen Sie die Schrauben und das untere Scharnier **(4)** rechts unten am Schrank. Entfernen Sie die Schrauben und den Träger **(5)** unten links am Schrank. Bringen Sie dann den Träger **(4)** unten rechts am Schrank wieder an.
- * **(Abb. D)** Bringen Sie das untere Scharnier **(4)** unten links an der Tür an.
- * **(Abb. E)** Drehen Sie die Tür um 180°.
- * **(Abb. F)**; Bringen Sie das obere Scharnier **(1)** mit den Schrauben links oben am Schrank an und richten Sie die Tür mit dem Schrank aus.



2.4 Einbauabmessungen

Platzieren Sie Ihren Weinschrank auf einem Regalbrett, das stark genug ist, um ihn zu tragen, auch wenn er voll beladen ist. Die Küchenzeile muss horizontal und vertikal ausgerichtet sein. Stellen Sie sicher, dass die Lüftungsschlitze unten am Schrank für eine ausreichende Belüftung frei sind.

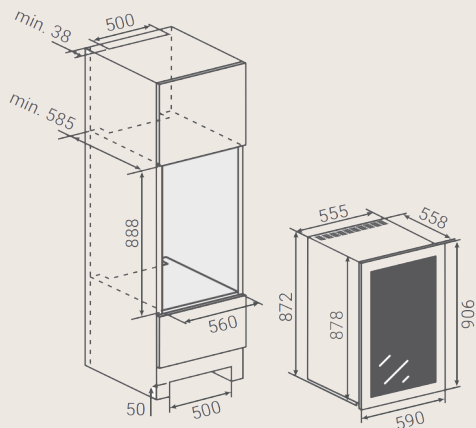
MLWC60AN / MLWC60ZW



Länge des Netzkabels: **200cm**

Maximaler Türöffnungswinkel: **100°**

MLWC88AN / MLWC88ZW



Länge des Netzkabels: **200cm**

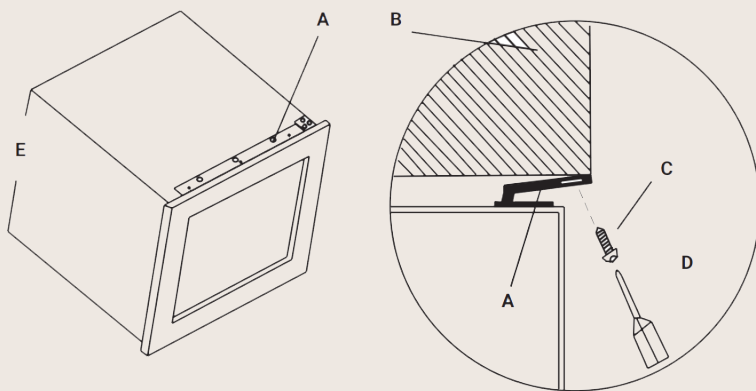
Maximaler Türöffnungswinkel: **100°**

2.5 Befestigung der oberen Halterung

Nachdem der Weinschrank neben dem Küchenschrank eingebaut wurde, stellen Sie die obere Halterung (A) nahe der Vorderseite des Küchenschrank (B) ein.

Schrauben Sie die 3 Schrauben durch die obere Halterung (A) in den Küchenschrank (B) ein.

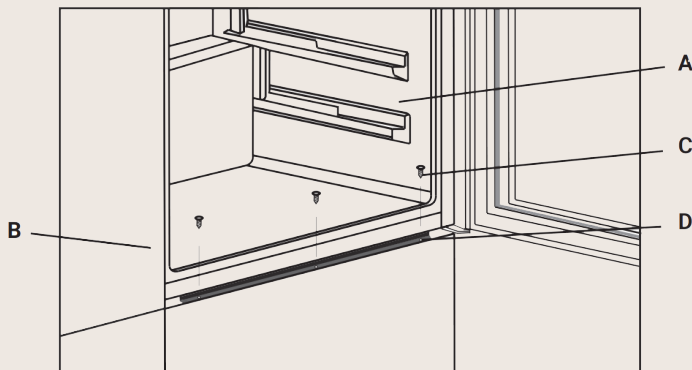
- A. Obere Halterung B. Küchenschrank C. Schrauben**
D. Schraubendreher E. Weinschrank



2.6 Befestigung der unteren Halterung

Schrauben Sie die 3 Schrauben durch die untere Halterung (D) in den Küchenschrank (B) ein.

- A. Weinschrank B. Küchenschrank C. Schrauben D. Untere Halterung**



2.7 Zulässige Raumtemperatur

Die zulässige Raumtemperatur hängt von der Klimaklasse des Geräts ab. Die Klimaklasse finden Sie auf dem Typenschild an der Seite des Schrankes.

Klimaklasse	Zulässige Raumtemperatur
SN	10 °C – 32 °C
N	16 °C – 32 °C
ST	16 °C – 38 °C
T	16 °C – 43 °C
SN-ST	10 °C – 38 °C
SN-T	10 °C – 43 °C

Das Gerät ist innerhalb der zulässigen Raumtemperatur voll funktionstüchtig. Wenn ein Gerät mit Klimaklasse SN bei niedrigerer Raumtemperatur betrieben wird, wird das Gerät bis zu einer Raumtemperatur von 5 °C nicht beschädigt.

3. Verwendung des Produkts

3.1 Berührungsbedientasten und Symbole



Zum Ein-/Ausschalten des Weinschranks. Halten Sie diese Taste ca. 1 Sekunde lang gedrückt, um den Weinschrank einzuschalten. Halten Sie diese Taste ca. 3 Sekunden lang gedrückt, um den Weinschrank auszuschalten.



Zum Ein-/Ausschalten der Sperrfunktion. Halten Sie diese Taste ca. 3 Sekunden lang gedrückt, um die Funktion zu aktivieren/deaktivieren. Bei Aktivierung leuchtet das entsprechende Symbol auf.

+/- Drücken Sie diese Taste, um die Temperatur in Schritten von 1 °C zu erhöhen. Sobald die Temperatur den höchsten Temperaturwert für den oberen oder unteren Bereich erreicht hat, kehrt sie auf den niedrigsten Temperaturwert zurück.

■ Oberer Bereich = 5 - 10 °C

■ Unterer Bereich = 10 - 18 °C

Sobald die gewünschte Temperatur gewählt wurde, blinkt die LED-Anzeige 5 Sekunden lang, kehrt dann zur normalen Anzeige zurück und die Temperatur ist eingestellt.

Hinweis:

Halten Sie **+/-** 3 Sekunden lang gedrückt, um die Anzeige von °C auf °F zu ändern.



Diese Taste dient zum Umschalten zwischen den verschiedenen Lichtfunktionen. Wenn ausgewählt, leuchtet das entsprechende Symbol:



Die Innenbeleuchtung schaltet sich ein, wenn die Tür geöffnet wird, und erlischt, wenn die Tür geschlossen wird.




Die Innenbeleuchtung leuchtet kontinuierlich. Nach 3 Minuten verdunkelt sich das Licht.



Die Innenbeleuchtung bleibt nach dem Schließen der Tür noch 10 Minuten eingeschaltet und erlischt dann.



Dieses Symbol zeigt den Helligkeitsregler an: Halten Sie die Lichttaste 3 Sekunden lang gedrückt, bis  blinkt. Stellen Sie dann mit den +/--Tasten die Helligkeit der Innenbeleuchtung ein.



Diese Taste dient zum Umschalten zwischen den verschiedenen Betriebsfunktionen. Wenn ausgewählt, leuchtet das entsprechende Symbol:



Standardmodus – Wählen Sie diese Funktion, um den Weinschrank im Standardmodus zu betreiben.



ECO-Modus – Ein Energiesparmodus, bei dem sowohl die Innenbeleuchtung als auch die Bedienfeldbeleuchtung ausgeschaltet ist. Die LED-Anzeige wird ebenfalls ausgeschaltet, bis Sie die Temperatur mit den Tasten +/- und +/- ändern, das Symbol wird 5 Sekunden lang angezeigt und dann wieder ausgeschaltet. Zudem wird der Kompressor um 5 Minuten verzögert, um Energie zu sparen.



Intelligenter Modus – Im intelligenten Modus passt der Weinschrank die Lüfterdrehzahl an die Umgebungstemperatur an. Dadurch wird der Geräuschpegel verringert und Geld gespart.



DEMO-Modus – Wenn der Demo-Modus ausgewählt ist, werden der Kompressor und die selbstregulierende Heizung deaktiviert und die Eingangsspannung des Lüfters wird auf 9 V reduziert. Der Alarm für hohe/niedrige Temperatur (HI/LO) wird im DEMO-Modus ebenfalls deaktiviert.



Das Kühlsymbol leuchtet auf und zeigt an, dass der Weinschrank gerade kühlt.



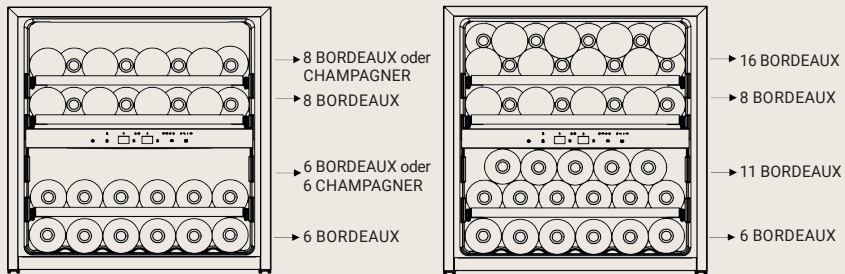
Das Alarmsymbol leuchtet, um anzuzeigen, dass ein Alarm ausgelöst wurde. Dieser wird ausgelöst, wenn entweder die Tür längere Zeit offen geblieben ist oder die Temperatur zu hoch oder niedrig geworden ist (auf der Anzeige erscheint zudem HI oder LO, um dies anzuzeigen).

3.2 Stapeln von Flaschen MLWC60

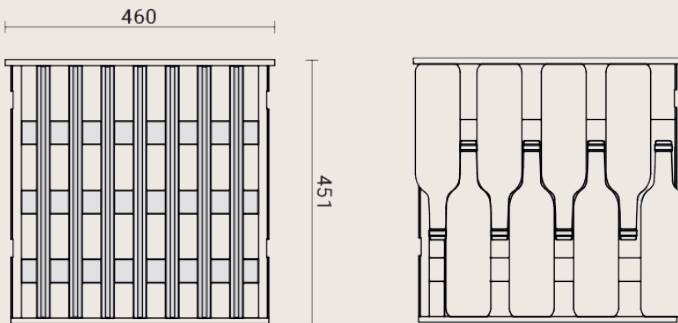
Die maximale Lagerkapazität für Bordeauxflaschen (0.75 l) beträgt 41 Flaschen. Es ist auch möglich, Flaschen in Champagner-/Magnum-Größe zu lagern. Dafür muss die obere Ablage im untersten Bereich entfernt werden. Siehe Abschnitt 2.4 zum Herausnehmen der Ablagen.

Hinweis:

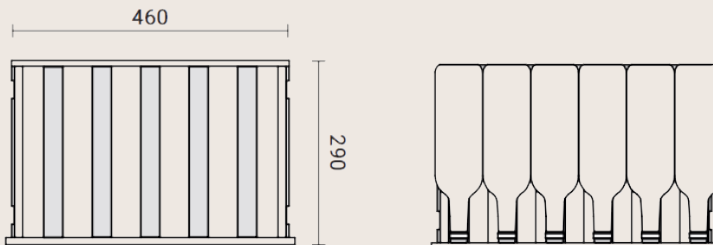
Wenn Sie andere Arten von Flaschen lagern möchten, ist die maximale Lagerkapazität geringer als oben angegeben.



Oberer Bereich



Unterer Bereich

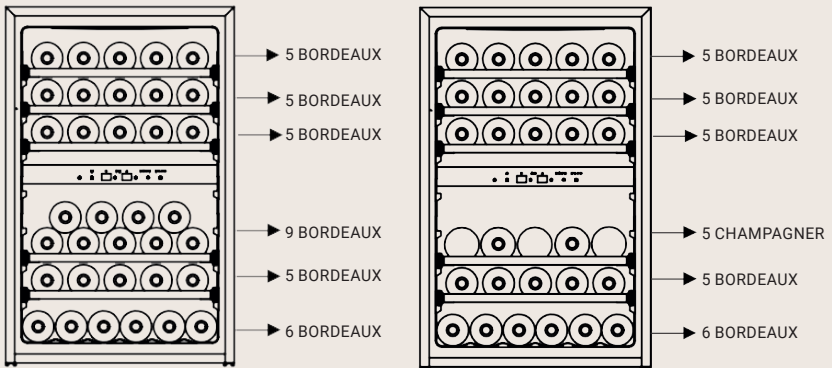


3.3 Stapeln von Flaschen MLWC88

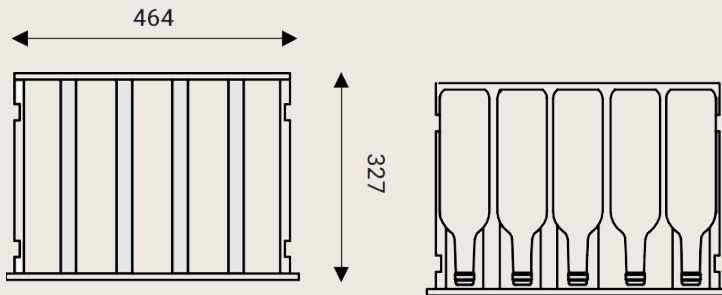
Die maximale Lagerkapazität für Bordeauxflaschen (0.75 l) beträgt 41 Flaschen. Es ist möglich, Champagnerflaschen in der oberen Ablage des unteren Bereichs zu lagern.

Hinweis:

Wenn Sie andere Arten von Flaschen lagern möchten, ist die maximale Lagerkapazität geringer als oben angegeben.



Unterer + Oberer Bereich



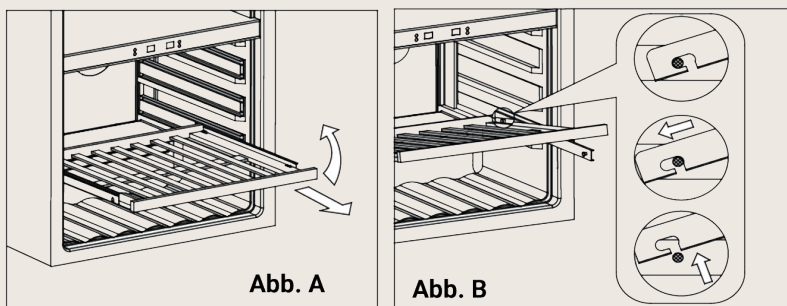
3.4 Verwenden und Herausnehmen der Ablagen

Um eine Beschädigung der Türdichtung zu vermeiden, achten Sie darauf, dass die Tür beim Herausziehen der Ablagen vollständig geöffnet ist. Die Ablagen sind mit einem Teleskopschienensystem befestigt, um die Flaschen einfach zu stapeln oder herausziehen zu können.

Wenn Sie Dosen oder kleinere Flaschen in Ihrem Weinschrank lagern möchten, sind auch Glasablagen verfügbar. Diese erhalten Sie direkt auf www.boretti.com

Herausnehmen einer Ablage

1. Fahren Sie die Ablage, die Sie herausnehmen möchten, vollständig aus.
2. Heben Sie die vordere Kante der Ablage an, um die vorderen Halterungen zu lösen. Siehe Abb. **A**.
3. Halten Sie die Vorderkante der Ablage fest, schieben Sie die Ablage etwas hinein und ziehen Sie sie dann an der Rückseite nach oben, um die hinteren Halterungen zu lösen. Siehe Abb. **B**.



3.5 Optimale Lagerbedingungen für Weine

Es gibt vier Punkte, die ein perfektes Klima sicherstellen, damit Weine optimal gelagert werden.

Konstante Temperatur

Boretti-Weinschränke halten präzise Temperaturen zwischen 5 °C und 18 °C aufrecht. Die Minimierung von Temperaturschwankungen ist bei langfristiger Lagerung am wichtigsten, um sicherzustellen, dass der Wein richtig reift.

Die ideale Langzeitlagertemperatur für Wein liegt zwischen +10 °C und +12 °C. Es ist essenziell, dass die Temperatur so konstant wie möglich gehalten wird, da nur so die natürliche Harmonie eines Weins erhalten bleibt.

Der untere Bereich kann für die langfristige Lagerung von Weinen verwendet werden. Der obere Bereich hat einen Temperaturbereich von 5 °C bis 10 °C und ist ideal, um Weine bei Serviertemperatur zu lagern.

*** Perlweine:**

- Champagner (**8 °C**)
- Prosecco (**7-8 °C**)
- Muskat (**7-8 °C**)
- Cava (**5-6 °C**)

*** Weißweine:**

- Pinot Grigio (**8 °C**)
- Pinot Blanc (**8 °C**)
- Sauvignon Blanc (**9 °C**)
- Chardonnay (**10 °C**)
- Kräftiger Chardonnay (**12 °C**)

*** Leichte bis mittelkräftige Rotweine:**

- Chianti (**15 °C**)
- Pinot Noir (**16 °C**)
- Merlot (**16 °C**)
- Rioja (**16 °C**)
- Bordeaux (**16 °C**)

*** Kräftige Rotweine:**

- Cabernet Sauvignon (**17 °C**)
- Roter Burgunder (**17 °C**)
- Barolo (**17 °C**)
- Brunello (**17 °C**)
- Grand Cru Bordeaux (**18 °C**)

Keine Vibrationen

Damit der Wein ruhig liegt, sind alle Kompressoren an Dämpfern montiert, die die Schwingungen absorbieren.

UV-Schutz

Alle Boretti-Weinschränke mit Glastüren verfügen über getönte Doppelscheiben, um schädliche ultraviolette Strahlung abzuhalten und eine Verfärbung der Etiketten und unerwünschte Reaktionen in Ihrem Wein zu verhindern.

Perfekte Luftqualität

Der Weinschrank MLWC82 verfügt über einen Kohlefilter, um eine perfekte Luftqualität aufrechtzuerhalten, die für die richtige Konservierung und Reifung des Weins entscheidend ist.

4. Pflege & Reinigung

4.1 Reinigung Ihres Weinschranks

- * Schalten Sie das Gerät aus, ziehen Sie den Netzstecker, und entfernen Sie alle Teile, einschließlich aller Ablagen.
- * Reinigen Sie die Innenflächen mit warmem Wasser und einer natürlichen, milden Seifenlösung.
- * Reinigen Sie die Ablagen mit einer milden Reinigungslösung.
- * Wringen Sie überschüssiges Wasser aus dem Schwamm oder Tuch, wenn Sie den Bereich um die Bedienelemente reinigen. Reinigen Sie nicht die elektrischen Teile wie die Lüfter.

4.2 Stromausfall

Die meisten Stromausfälle werden innerhalb von wenigen Stunden behoben und sollten die Temperatur Ihres Geräts nicht beeinflussen, wenn Sie die Tür nicht zu oft öffnen. Wenn der Strom für einen längeren Zeitraum ausfällt, müssen Sie geeignete Maßnahmen ergreifen, um Ihre Weine zu schützen.

4.3 Urlaub

Kurzer Urlaub: Lassen Sie den Weinschrank während eines Urlaubs von weniger als drei Wochen eingeschaltet.

Langer Urlaub: Wenn das Gerät mehrere Monate lang nicht benutzt wird, entfernen Sie alle Teile und schalten Sie das Gerät aus. Reinigen und trocknen Sie das Innere gründlich. Lassen Sie die Tür leicht geöffnet, um schlechte Gerüche und Schimmel zu verhindern (blockieren Sie sie bei Bedarf).

4.4 Umstellen Ihres Weinschranks

- * Entfernen Sie alle Teile.
- * Kleben Sie alle losen Teile (Ablagen) im Gerät sicher mit Klebeband fest.
- * Drehen Sie den verstellbaren Fuß ganz hinein, um Beschädigungen zu vermeiden.
- * Kleben Sie die Tür mit Klebeband zu.
- * Achten Sie darauf, dass das Gerät während des Transports aufrecht bleibt. Schützen Sie das Gerät auch außen herum mit einer Decke oder Ähnlichem.

4.5 Abtauen/Kondensation

Ihr Weinschrank ist mit einem "Auto-Zyklus"-Abtausystem ausgestattet. Wenn der BETRIEBS-Zyklus AUS ist, wird die gekühlte Oberfläche des Weinschranks (Rückwand) automatisch abgetaut. Das Kondensationswasser wird in eine Auffangwanne geleitet, die sich an der Rückseite des Schrankes neben dem Kompressor befindet, wo es verdampft.

5. Fehlersuche

5.1 Problemlösung

Viele häufiger auftretende Probleme mit dem Weinschrank lassen sich leicht lösen, was Ihnen die Kosten eines möglichen Kundendienstespart. Probieren Sie die nachfolgenden Vorschläge aus, um zu sehen, ob Sie ein Problem beheben können, bevor Sie sich an den Boretti-Kundendienst wenden.

PROBLEM	MÖGLICHE URSACHE
Der Weinschrank funktioniert nicht.	<ul style="list-style-type: none"> * Stecker nicht eingesteckt. * Das Gerät ist ausgeschaltet. * Der Schutzschalter hat ausgelöst oder eine Sicherung ist durchgebrannt.
Der Weinschrank ist nicht kalt genug.	<ul style="list-style-type: none"> * Überprüfen Sie die Temperatureinstellung. * Die äußeren Bedingungen können eine höhere Einstellung nötig machen. * Die Tür wird zu oft geöffnet. * Die Tür ist nicht vollständig geschlossen. * Die Türdichtung dichtet nicht richtig ab.
Schaltet sich häufig ein und aus.	<ul style="list-style-type: none"> * Die Raumtemperatur ist höher als normal. * Es werden viel Flaschen gleichzeitig im Weinschrank gelagert. * Die Tür wird zu oft geöffnet. * Die Tür ist nicht vollständig geschlossen. * Der Temperaturregler ist nicht richtig eingestellt. * Die Türdichtung dichtet nicht richtig ab.
Die Beleuchtung funktioniert nicht.	<ul style="list-style-type: none"> * Stecker nicht eingesteckt. * Der Schutzschalter hat ausgelöst oder eine Sicherung ist durchgebrannt. * Die Glühlampe ist durchgebrannt. * Die Lichttaste ist "AUS".
Vibrationen.	<ul style="list-style-type: none"> * Überprüfen Sie, dass der Weinschrank gerade steht.
Der Weinschrank scheint zu laut zu sein.	<ul style="list-style-type: none"> * Der Kältemittelkreislauf kann ein rasselndes Geräusch abgeben, was aber normal ist. * Wenn ein Kühlzyklus endet, hören Sie möglicherweise ein gurgelndes Geräusch, wenn das Kältemittel in Ihrem Weinschrank fließt. * Das Zusammenziehen und Ausdehnen der Innenwände kann ein Knacken und Knistern verursachen. * Der Weinschrank steht nicht gerade.
Die Tür schließt nicht richtig.	<ul style="list-style-type: none"> * Der Weinschrank steht nicht gerade. * Die Tür wurde umgedreht und nicht richtig eingebaut. * Die Dichtung ist verschmutzt. * Die Ablagen sind nicht richtig platziert.

Wenn das Problem nicht mithilfe der obigen Tabelle behoben werden konnte, wenden Sie sich bitte telefonisch an den Boretti-Kundendienst oder schreiben Sie eine E-Mail an service@boretti.com. Die Modellbezeichnung Ihres Produkts finden Sie an der Seite Ihres Weinschranks.

Feuchtigkeitsregelung

Der Weinschrank ist mit einem System zur Aufrechterhaltung der richtigen Luftfeuchtigkeit ausgestattet. Wenn die Luftfeuchtigkeit zu niedrig ist, stellen Sie den kleinen Kunststoffbehälter auf die obere Ablage. Füllen Sie den Behälter zu 3/4 mit Wasser. Überprüfen Sie gelegentlich den Wasserstand und füllen Sie bei Bedarf Wasser nach.

5.2 Fehlercodeliste

Code	Bedeutung	Lösung
E1	Offener Stromkreis im Sensor des oberen Fachs	Wenden Sie sich bitte an den Boretti-Kundendienst.
E2	Kurzschluss im Sensor des oberen Fachs	Wenden Sie sich bitte an den Boretti-Kundendienst.
E3	Offener Stromkreis im Sensor des unteren Fachs	Wenden Sie sich bitte an den Boretti-Kundendienst.
E4	Kurzschluss im Sensor des unteren Fachs	Wenden Sie sich bitte an den Boretti-Kundendienst.
E7	Offener Stromkreis im Abtau- Sensor	Wenden Sie sich bitte an den Boretti-Kundendienst.
E8	Kurzschluss im Abtau- Sensor	Wenden Sie sich bitte an den Boretti-Kundendienst.
HI	Innentemperatur zu hoch	Schalten Sie den Schrank für 1 Stunde aus. Wenn das Problem erneut auftritt, wenden Sie sich bitte an den Boretti-Kundendienst.
LO/CL	Innentemperatur zu niedrig	Schalten Sie den Schrank für 1 Stunde aus. Wenn das Problem erneut auftritt, wenden Sie sich bitte an den Boretti-Kundendienst.



Passione in Cucina



MANUEL
MLWC6oAN/MLWC88AN
MLWC6oZW/MLWC88ZW

FR | NOTICE D'UTILISATION

www.boretti.com

Introduction

Félicitations ! Vous êtes le propriétaire officiel d'une cave à vin Boretti. Au cours des années à venir vous découvrirez que l'utilisation d'une cave à vin Boretti donne une nouvelle dimension au rafraîchissement. Nous vous conseillons de lire attentivement ce manuel avant de mettre la cave en service, de façon à connaître ce magnifique appareil en détail. Pour toute question, veuillez nous contacter. Nous serions ravis de vous accueillir dans notre Centre de l'Expérience à tout moment, pour vous inspirer et répondre à vos questions.

Nous vous souhaitons beaucoup de plaisir avec votre rafraîchissement !
Faites de vos apéritifs et de vos dîners des moments inoubliables !

Boretti

Enregistrement du produit

Pour enregistrer votre achat, veuillez remplir le formulaire d'inscription en ligne à www.boretti.com.

Table des matières

* 1. Points importants concernant la sécurité.....	72
* 2. Installation	75
* 3. Utilisation du produit.....	81
* 4. Entretien et nettoyage	87
* 5. Résolution des problèmes.....	88

1. Points importants concernant la sécurité

- * Pour éviter d'endommager la porte et le joint de la porte, assurez-vous que la porte est complètement ouverte avant de retirer les étagères.
- * Ne déplacez pas la cave à vin si elle est remplie de bouteilles, vous pourriez déformer l'appareil.
- * Si le câble d'alimentation est endommagé, il doit être remplacé uniquement par le fabricant ou une personne qualifiée.
- * Ne laissez jamais les enfants jouer avec l'appareil.
- * Ne nettoyez jamais les pièces de l'appareil avec des liquides inflammables.
- * Ne pas entreposer ni utiliser d'essence ou tout autres vapeurs ou liquides inflammables près de cet appareil ou de tout autre appareil. Cela peut créer un risque d'incendie ou d'explosion.
- * N'oubliez pas de débrancher l'appareil avant de le nettoyer. Pour débrancher de l'alimentation électrique, tirez par la fiche et non par le cordon d'alimentation.
- * N'utilisez aucun dispositif électrique à l'intérieur de la cave à vin.
- * Toutes les réparations doivent être effectuées par un technicien qualifié. Des réparations inappropriées peuvent entraîner une source importante de dangers pour l'utilisateur et invalider toute garantie.
- * Ne stockez jamais rien qui puisse être dangereux à l'intérieur de l'appareil, tels que des combustibles, des explosifs, des acides forts ou des alcalis, etc.
- * Gardez toujours les orifices de ventilation libres de toute obstruction. S'ils sont obstrués, nettoyez-les immédiatement.
- * Assurez-vous que la fiche est dans un endroit accessible lorsque l'installation est terminée.
- * Utilisez cet appareil uniquement à des fins domestiques et conformément à ces instructions.
- * La cave à vin convient à la conservation du vin (ou autres boissons en bouteille). Elle n'est pas adaptée à la conservation d'aliments frais ou surgelés.
- * Si le réfrigérant de ces appareils est R600a, conservez les articles inflammables ou explosifs hors et à l'écart de la cave afin d'éviter un incendie ou une explosion.

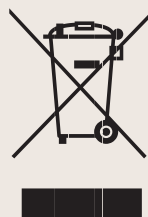


Avertissement

Ne Soyez particulièrement attentif à ne pas endommager le circuit de réfrigérant lors de l'utilisation ou de l'installation de l'appareil. S'il est endommagé, n'utilisez pas l'appareil avant d'y avoir été autorisé par un technicien d'entretien. Le réfrigérant peut s'enflammer ou causer des dommages oculaires en cas de fuite.

Protection de l'environnement

Les produits électriques usagés ne doivent pas être mis au rebut avec les ordures ménagères. Veuillez utiliser les centres spécialisés dans le recyclage. Renseignez-vous auprès des services municipaux ou de votre revendeur pour obtenir des conseils de recyclage. Cet appareil est marqué conformément à la directive européenne relative aux Déchets d'Équipements Électriques et Électroniques (DEEE). En vous assurant que ce produit est correctement mis au rebut, vous aidez à éviter les conséquences négatives potentielles pour l'environnement et la santé humaine qui, sinon, pourraient être causées par une mise au rebut inappropriée de ce produit. Le symbole sur le produit indique que ce produit ne peut pas être traité comme un déchet ménager. Il doit plutôt être remis au point de collecte adéquat pour le recyclage des équipements électriques et électroniques. La mise au rebut doit être effectuée conformément aux réglementations environnementales locales pour la mise au rebut des déchets. Pour plus d'informations sur le traitement, la récupération et le recyclage de ce produit, veuillez contacter votre mairie locale, votre service de collecte des déchets ménagers ou le revendeur chez qui vous avez acheté le produit.



Déclaration de conformité CE

Par la présente, Boretti B.V. déclare que cet appareil a été fabriqué conformément aux normes des recommandations et directives CE en vigueur pour la conformité CE.



Garantie

Votre nouvelle cave à vin est couverte par la garantie. L'enregistrement peut être effectué en ligne en visitant www.boretti.com. Les pièces de rechange sont disponibles uniquement auprès du service après-vente Boretti et des revendeurs agréés.

Fiche technique

Cet appareil est conforme à toutes les réglementations énergétiques en vigueur. Pour consulter la Fiche technique qui prend en charge les données d'étiquetage énergétique, veuillez visiter la page du produit sur notre site Internet www.boretti.com. Ou scannez le code QR pour contacter la base de données EPREL.



MLWC60AN



MLWC60ZW



MLWC88AN



MLWC88ZW

2. Installation

2.1 Avant l'utilisation

Avant de raccorder la cave à vin à la source d'alimentation, laissez-la reposer à la verticale pendant au moins 6 heures. Cela réduira les risques de dysfonctionnement dans le système de refroidissement suite à la manipulation pendant le transport.

Nettoyez la surface intérieure avec de l'eau tiède à l'aide d'un chiffon doux.

Lisez les instructions fournies avec l'appareil – une installation ou une utilisation de l'appareil non conforme aux instructions peut invalider la garantie.

Le produit Boretti décline toute responsabilité en cas de dommages résultant d'une utilisation ou d'une installation incorrecte. N'installez pas cet appareil s'il a été endommagé pendant le transport. Ceci comprend la fiche et le cordon d'alimentation.

Veillez conserver ces instructions dans un endroit sûr pour pouvoir vous y référer ultérieurement.

2.2 Installation de la cave à vin

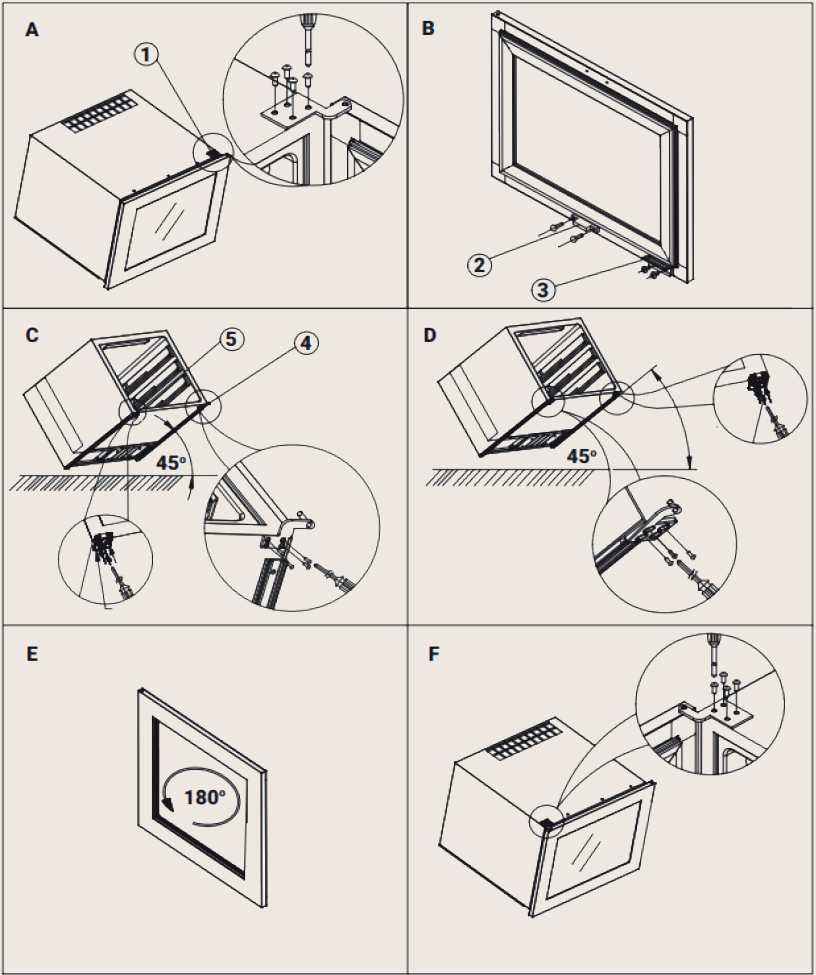
1. Cet appareil est conçu pour être installé dans une colonne (totalement encastré).
2. Cet appareil utilise un réfrigérant inflammable. N'endommagez jamais la tuyauterie de refroidissement pendant le transport ou l'installation.
3. **Placez votre refroidisseur à vin sur une étagère de placard suffisamment solide pour le supporter quand il sera entièrement rempli.**
4. Évitez de placer l'appareil dans des endroits humides.
5. Insérez la fiche de la cave à vin dans une prise appropriée. Si la fiche a besoin d'être changée, demandez l'aide d'un technicien d'entretien qualifié.
6. Assurez-vous que le produit est correctement ventilé (voir la section 1.5).
7. Branchez la cave à vin dans une prise murale dédiée, correctement installée et reliée à la masse. Il est interdit de couper ou retirer la troisième broche (masse) de la fiche. Toute question concernant l'alimentation et/ou la mise à la masse doit être adressée à un électricien certifié ou au service client de Boretti.

2.3 Comment changer l'ouverture de la porte MLWC60/MLWC88

Cet appareil est doté d'une porte réversible et il est livré avec la porte ouvrant à gauche. Veuillez suivre les instructions ci-dessous pour changer l'ouverture de la porte à droite.

1. Charnière supérieure 2. Interrupteur d'éclairage de porte 3. Plaque d'emplacement 4. Charnière inférieure 5. Support

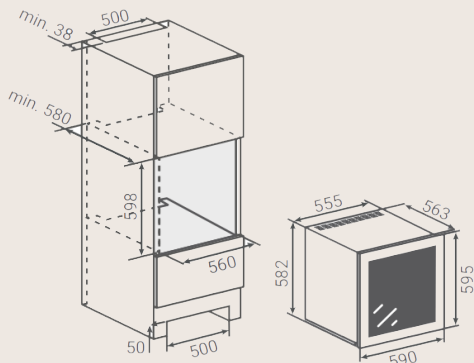
- * Placez la cave sur une surface souple et placez l'avant sur un tapis à une hauteur d'environ 200 mm pour soutenir la cave. Ceci permet d'éviter d'endommager la porte, car la porte est plus grande que la cave.
- * **(Fig.A)** ; Ouvrez la porte à un angle de 90°. Retirez les 4 vis et la charnière supérieure **(1)** en haut à droite de la cave. Retirez la porte de la cave et mettez-la dans un endroit où elle ne risque pas d'être endommagée
- * **(Fig.B)** ; Retirez l'interrupteur d'éclairage de la porte **(2)** en dévissant les 2 vis au bas de la porte. Ensuite, réinstallez l'interrupteur d'éclairage de la porte **(2)** avec les 2 vis dans la direction opposée ; centre au haut de la porte.
- * **(Fig.B)** ; Dévissez les vis de la plaque d'emplacement **(3)** en bas à droite de la porte. Puis revissez la plaque d'emplacement en diagonale (en haut à gauche de la porte)
- * **(Fig.C, D)** ; Inclinez le refroidisseur à vin de 45 degrés. Retirez les vis et la charnière inférieure **(4)** en bas à droite de la cave. Retirez les vis et le support **(5)** en bas à gauche de la cave. Installez ensuite le support **(4)** dans le coin inférieur droit de la cave.
- * **(Fig.D)** Montez la charnière inférieure **(4)** en bas à gauche de la porte.
- * **(Fig.E)** Faites tourner la porte de 180°.
- * **(Image F)** ; Installez la charnière supérieure **(1)** avec les vis en haut à gauche de la cave, alignez la porte avec la cave



2.4 Dimensions d'encastrement

Placez votre cave à vin sur une étagère suffisamment solide pour la supporter lorsqu'elle sera entièrement remplie. Le meuble de cuisine doit être aligné horizontalement et verticalement. Assurez-vous que la cave est correctement ventilée en respectant les fentes de ventilation ci-dessous.

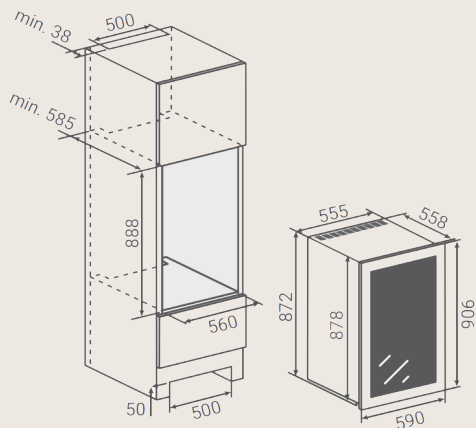
MLWC60AN/MLWC60ZW



Longueur du cordon électrique : **200cm**

Angle d'ouverture maximum de la porte : **100°**

MLWC88AN/MLWC88ZW



Longueur du cordon électrique : **200cm**

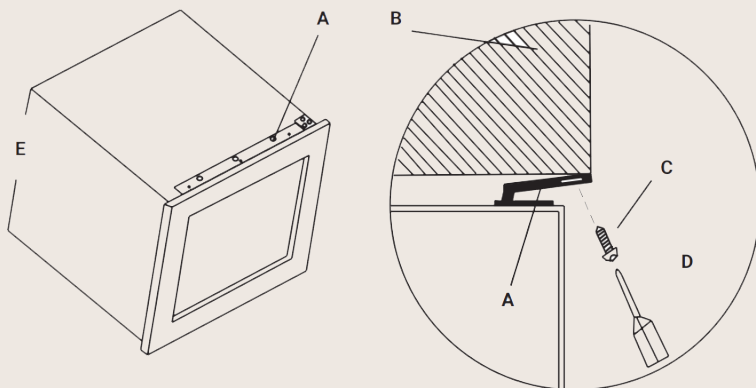
Angle d'ouverture maximum de la porte : **100°**

2.5 Fixation du support supérieur

Après avoir placé le refroidisseur à vin dans un meuble de cuisine, ajustez le support supérieur (A) pour qu'il se trouve près de l'avant du meuble (B).

Vissez les 3 vis du support supérieur (A) dans le meuble de cuisine (B).

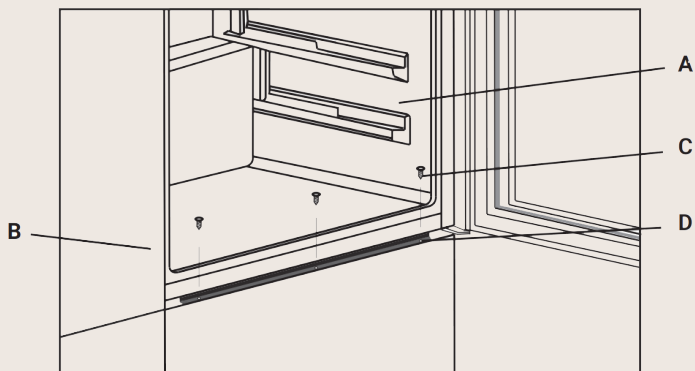
A. Support supérieur B. Meuble de cuisine C. Vis D. Tournevis
E. Refroidisseur à vin



2.6 Fixation du support inférieur

Vissez les 3 vis du support inférieur (A) dans le meuble de cuisine (B).

A. Refroidisseur à vin B. Meuble de cuisine C. Vis D. Support inférieur



2.7 Température ambiante admissible

La température ambiante admissible dépend de la catégorie de climatisation de l'appareil. La catégorie de climatisation se trouve sur la plaque signalétique, sur le côté de la cave.


Classe climatique	Température ambiante admissible
SN	10 °C – 32 °C
N	16 °C – 32 °C
ST	16 °C – 38 °C
T	16 °C – 43 °C
SN-ST	10 °C – 38 °C
SN-T	10 °C – 43 °C


L'appareil est entièrement fonctionnel à la température ambiante autorisée. Si un appareil avec une catégorie de climatisation SN fonctionne à des températures ambiantes plus froides, l'appareil ne sera pas endommagé tant que la température ambiante est supérieure à 5 °C.

3. Utilisation du produit


3.1 Touches et symboles tactiles



 Marche/arrêt de la cave à vin. Maintenez ce bouton enfoncé pendant environ 1 seconde pour mettre la cave à vin en marche. Maintenez ce bouton enfoncé pendant environ 3 secondes pour éteindre la cave à vin.

 Pour activer/désactiver la fonction de verrouillage. Maintenez ce bouton enfoncé pendant environ 3 secondes pour activer/désactiver. Lorsque ce symbole est activé, il s'allume.

+/- Appuyez sur ce bouton pour augmenter la température par incréments de 1 °C. Lorsque la température atteint la valeur de température la plus élevée pour la zone supérieure ou inférieure, elle revient à sa valeur la plus basse.

 Zone supérieure = 5 -10 °C

 Zone inférieure = 10 -18 °C

Quand la température requise est sélectionnée, l'affichage DEL clignote temporairement pendant 5 secondes, puis revient à l'affichage normal et la température est maintenant réglée.

Remarque :

Maintenez +/- pendant 3 secondes, pour faire passer l'affichage de °C à °F.




Ce bouton sert à basculer entre les différentes fonctions d'éclairage. Une fois sélectionné, le symbole correspondant s'allume :






L'éclairage interne s'allume lorsque la porte est ouverte et s'éteint lorsque la porte est fermée.





L'éclairage interne est allumé en continu. Cependant après 3 minutes, l'éclairage s'affaiblit.


 L'éclairage interne reste allumé pendant 10 minutes après la fermeture de la porte, puis s'éteint.


 Ce symbole indique le réglage de luminosité : Maintenez la touche d'éclairage enfoncée pendant 3 secondes jusqu'à ce que  clignote. Utilisez ensuite les touches +/- pour régler la luminosité de l'éclairage intérieur.


 Ce bouton sert à basculer entre les différentes fonctions opérationnelles. Une fois sélectionné, le symbole correspondant s'allume :


 **Mode standard** – Sélectionnez cette fonction pour faire fonctionner la cave à vin en mode standard.

 **Mode ECO** – Mode économie d'énergie où l'éclairage intérieur et l'éclairage du panneau de commande sont tous deux éteints. L'afficheur LED est également éteint jusqu'à ce que vous changiez la température à l'aide des touches +/- et +/-, l'affichage durera pendant 5 secondes, puis s'éteindra à nouveau. Le compresseur est également retardé de 5 minutes pour économiser l'énergie.

 **Mode Intelligent** – En mode Intelligence, la cave à vin règle la vitesse du ventilateur en fonction de la température ambiante. Cela réduit les niveaux de bruit et permet d'économiser de l'argent.

 **Mode DEMO** – Lorsque le mode Démo est sélectionné, le compresseur et le chauffage PTC sont désactivés, et la tension d'entrée du ventilateur diminue à 9 V. L'alarme de température HAUT/BAS est également désactivée en mode DEMO.

 Le symbole de refroidissement s'allume pour indiquer que la cave à vin est en train de refroidir.

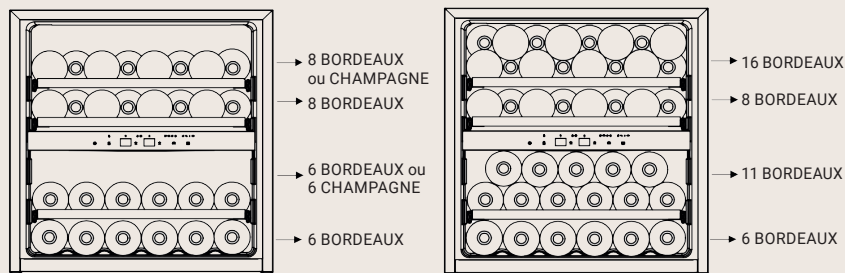
 Le symbole d'alarme s'allume pour indiquer que l'alarme est activée. Elle s'active si la porte reste ouverte pendant une période prolongée, ou si la température devient trop élevée ou trop basse (HI ou LO s'affiche également pour confirmation).

3.2 Stockage des bouteilles MLWC60

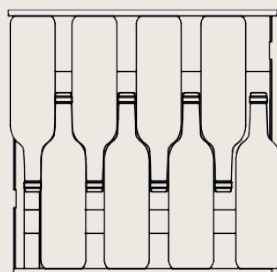
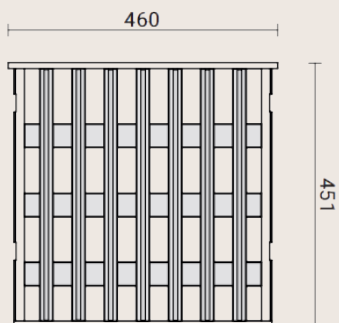
La capacité de stockage maximale pour les bouteilles de type Bordeaux (0.75 L) est de 41 bouteilles. Il est possible de stocker des bouteilles de Champagne/ Magnum. Pour s'adapter à la taille, la clayette supérieure de la zone la plus basse doit être retirée. Veuillez vous reporter à la section 2.4 pour savoir comment retirer les clayettes.

Remarque :

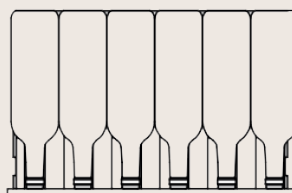
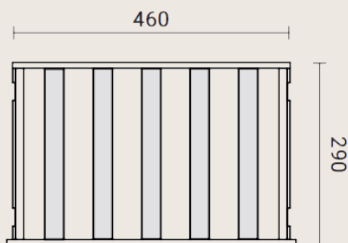
Si vous souhaitez stocker d'autres types de bouteilles, la capacité de stockage maximale sera inférieure à celle indiquée ci-dessus.



Zone supérieure



Zone inférieure

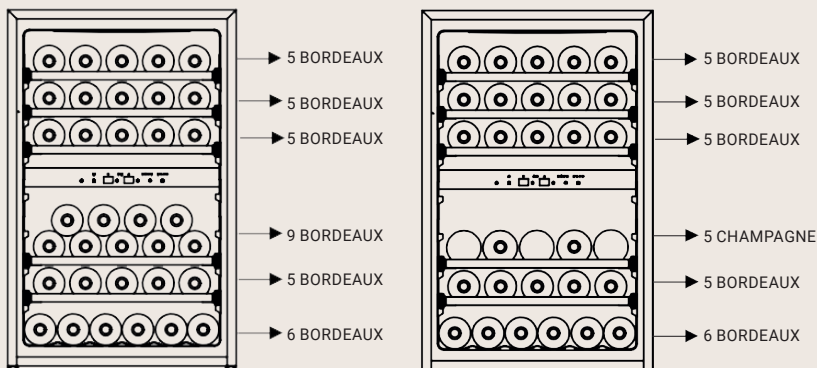


3.3 Stockage des bouteilles MLWC88

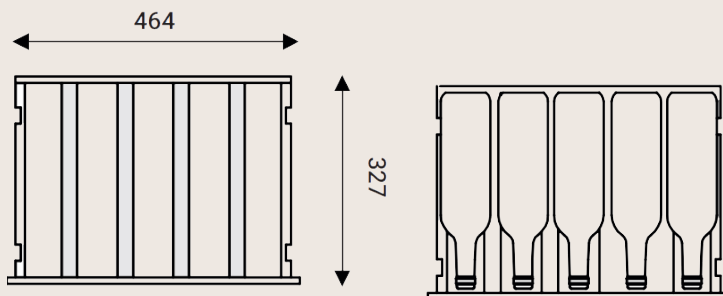
La capacité de stockage maximale pour les bouteilles de type Bordeaux (0.75 L) est de 41 bouteilles. Il est possible de stocker des bouteilles de Champagne sur l'étagère supérieure de la zone inférieure.

Remarque :

Si vous souhaitez stocker d'autres types de bouteilles, la capacité de stockage maximale sera inférieure à celle indiquée ci-dessus.



Zone inférieure + supérieure



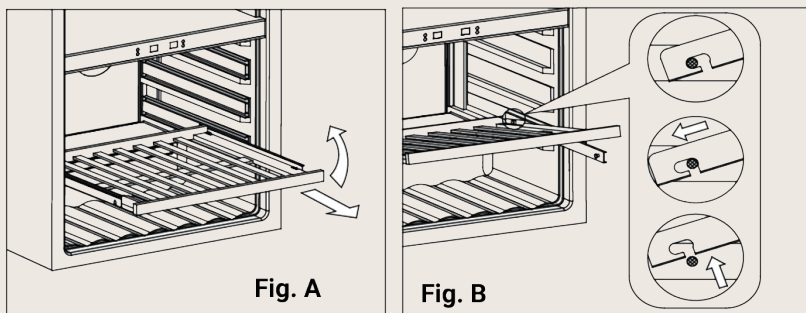
3.4 Utilisation et retrait des étagères

Pour éviter d'endommager le joint de porte, veillez à ouvrir complètement la porte avant de faire glisser les étagères hors du rail. Les étagères sont fixées sur un système de rail télescopique pour faciliter le placement ou le retrait des bouteilles.

Des étagères en verre sont disponibles si vous souhaitez ranger des canettes ou des bouteilles plus petites dans votre cave à vin. Celles-ci peuvent être achetées directement auprès de www.boretti.com

Retrait de la clayette

1. Étirez complètement la clayette que vous souhaitez retirer.
2. Soulevez l'avant de la clayette pour la dégager des clips avant. Comme dans la fig. **A**.
3. En la tenant par la glissière, insérez l'étagère puis relevez l'arrière pour la dégager des clips arrière. Comme dans la fig. **B**.



3.5 Climatisation idéale pour le stockage des vins

Quatre points garantissent une climatisation parfaite pour préserver les vins dans des conditions optimales.

Température constante

Les caves à vin Boretti maintiennent des températures précises comprises entre 5 °C et 18 °C. Minimiser les différences de température est très important pour le stockage à long terme afin de garantir une bonne maturité des vins.

La température idéale de stockage à long terme pour le vin se situe entre + 10 °C et + 12 °C. Il est essentiel de conserver la température aussi constante que possible, car c'est la seule façon de préserver l'harmonie naturelle d'un vin.

La zone inférieure peut être utilisée pour stocker le vin à plus long terme. La plage de température de la zone supérieure varie de 5 °C à 10 °C, ce qui est idéal pour maintenir les vins aux températures de service.

*** Vins mousseux ;**

- Champagne (**8°C**)
- Prosecco, (**7-8 °C**)
- Muscat (**7-8 °C**)
- Cava (**5-6 °C**)

*** Vins blancs ;**

- Pinot Grigio (**8 °C**)
- Pinot Blanc (**8 °C**)
- Sauvignon Blanc (**9 °C**)
- Chardonnay (**10 °C**)
- Chardonnay corsé (**12 °C**)

*** Vins rouges légèrement à moyennement corsés :**

- Chianti (**15 °C**)
- Pinot Noir (**16 °C**)
- Merlot (**16 °C**)
- Rioja (**16 °C**)
- Bordeaux (**16 °C**)

*** Rouges corsés :**

- Cabernet Sauvignon (**17 °C**)
- Bourgogne rouge (**17 °C**)
- Barolo (**17 °C**)
- Brunello (**17 °C**)
- Grand Cru de Bordeaux (**18 °C**)

Sans vibrations

Afin d'éviter que le vin ne soit perturbé, tous les compresseurs sont montés sur des blocs isolants conçus pour absorber les vibrations.

Protection contre les UV

Les portes en verre de toutes les caves à vin Boretti sont teintées et équipées d'un double vitrage pour une protection contre les rayons ultraviolets nocifs qui provoquent la décoloration des étiquettes et des réactions indésirables sur vos vins.

Parfaite qualité de l'air

La cave à vin MLWC82 dispose d'un filtre à charbon pour aider à maintenir une qualité d'air parfaite, vitale pour la préservation et la maturation des vins.

4. Entretien et nettoyage

4.1 Nettoyage de votre cave à vin

- * Coupez l'alimentation, débranchez l'appareil et retirez tous les articles y compris les étagères et les clayettes.
- * Laver les surfaces intérieures avec de l'eau chaude et une solution savonneuse douce naturelle.
- * Lavez les étagères à l'aide d'un détergent doux dilué.
- * Essorez l'excès d'eau de l'éponge ou du chiffon lorsque vous nettoyez la zone des commandes. Ne nettoyez pas les pièces électriques, comme les ventilateurs.

4.2 Panne de courant

La plupart des pannes de courant sont corrigées en quelques heures et cela ne devrait pas affecter la température de votre appareil si vous minimisez le nombre de fois où vous ouvrez la porte. Si le courant est coupé pendant une période plus longue, vous devez prendre les mesures appropriées pour protéger le contenu.

4.3 Vacances

Vacances courtes : Laissez la cave à vin fonctionner pendant des vacances de moins de trois semaines.

Vacances longues : Si l'appareil ne doit pas être utilisé pendant plusieurs mois, retirez tous les articles et mettez l'appareil hors tension. Nettoyez et séchez soigneusement l'intérieur. Pour éviter la formation d'odeurs et de moisissures, laissez la porte légèrement ouverte (en la bloquant si nécessaire).

4.4 Déplacement de votre refroidisseur à vin

- * Retirez tous les articles.
- * Utilisez du ruban adhésif pour sécuriser tous les éléments non fixés (étagères) à l'intérieur de l'appareil.
- * Tournez les pieds réglables à fond contre la base pour éviter tout dommage.
- * Fermez la porte avec du ruban adhésif.
- * Assurez-vous que l'appareil reste en position verticale pendant le transport. Protégez également l'extérieur de l'appareil avec une couverture ou équivalent.

4.5 Dégivrage/condensation

Votre cave à vin est équipée d'un système de dégivrage en "Cycle automatique". Lorsque le cycle RUN est désactivé, la surface réfrigérée de la cave à vin (paroi intérieure arrière) se dégivre automatiquement. L'eau du dégivrage s'écoule dans un bac de récupération situé à l'arrière de la cave, à côté du compresseur, d'où elle s'évapore.

5. Résolution des problèmes

5.1 Résolution des problèmes

Vous pouvez facilement résoudre de nombreux problèmes courants concernant la cave à vin et vous épargner le coût éventuel d'une intervention. Essayez les suggestions ci-dessous pour savoir si vous pouvez résoudre le problème avant de contacter le service après-vente de Boretti.

PROBLÈME	CAUSE POSSIBLE
Le refroidisseur à vin ne fonctionne pas.	<ul style="list-style-type: none"> * Non branché. * L'appareil est arrêté. * Le disjoncteur s'est déclenché ou un fusible est grillé.
Le refroidisseur à vin n'est pas suffisamment froid.	<ul style="list-style-type: none"> * Vérifiez le réglage du contrôle de la température. * Les conditions ambiantes peuvent demander un réglage plus élevé. * La porte est ouverte trop souvent. * La porte n'est pas complètement fermée. * Le joint de porte n'est pas bien étanche.
S'allume et s'éteint fréquemment.	<ul style="list-style-type: none"> * La température ambiante est plus chaude que la normale. * Une grande quantité de marchandises a été ajoutée dans le refroidisseur à vin. * La porte est ouverte trop souvent. * La porte n'est pas complètement fermée. * Le contrôle de la température n'est pas réglé correctement. * Le joint de porte n'est pas bien étanche.
L'éclairage ne fonctionne pas.	<ul style="list-style-type: none"> * Non branché. * Le disjoncteur s'est déclenché ou un fusible est grillé. * L'ampoule a grillé. * Le bouton d'éclairage est sur "ARRÊT".
Vibrations.	<ul style="list-style-type: none"> * Vérifiez que le refroidisseur à vin est de niveau.
Le refroidisseur à vin semble trop bruyant.	<ul style="list-style-type: none"> * Le bruit de cliquetis peut provenir de la circulation du réfrigérant, ce qui est normal. * À la fin de chaque cycle, des bruits de gargouillis causés par la circulation du réfrigérant dans votre refroidisseur à vin peuvent se faire entendre. * La contraction et la dilatation des parois intérieures peuvent provoquer des bruits secs ou des craquements. * Le refroidisseur à vin n'est pas de niveau.
La porte ne se ferme pas correctement.	<ul style="list-style-type: none"> * Le refroidisseur à vin n'est pas de niveau. * La porte a été inversée et n'a pas été correctement installée. * Le joint est sale. * Les étagères ne sont pas bien en place.

Si le tableau ci-dessus n'a pas résolu le problème, veuillez contacter le service après-vente de Boretti, par téléphone ou par email service@boretti.com. Le nom de modèle du produit est indiqué sur le côté de la cave à vin.

Système de contrôle de l'humidité

La cave à vin est équipée d'un système permettant de maintenir le bon niveau d'humidité. Si l'humidité est trop basse, insérez le petit réservoir en plastique sur l'étagère supérieure. Remplissez ce réservoir d'eau aux 3/4. Vérifiez le niveau d'eau de temps en temps et remplissez si nécessaire.

5.2 Liste des codes d'erreur

Code	Représentation	Solution
E1	Circuit ouvert du capteur du compartiment supérieur	Contactez le service après-vente Boretti.
E2	Court-circuit du capteur du compartiment supérieur	Contactez le service après-vente Boretti.
E3	Circuit ouvert du capteur du compartiment inférieur	Contactez le service après-vente Boretti.
E4	Court-circuit du capteur du compartiment inférieur	Contactez le service après-vente Boretti.
E7	Circuit ouvert du capteur de dégivrage	Contactez le service après-vente Boretti.
E8	Court-circuit du capteur de dégivrage	Contactez le service après-vente Boretti.
HI	Température intérieure trop élevée	Arrêtez la cave pendant 1 heure. Si le problème persiste, veuillez contacter le service après-vente de Boretti.
LO/CL	Température intérieure trop basse	Arrêtez la cave pendant 1 heure. Si le problème persiste, veuillez contacter le service après-vente de Boretti.



Passione in Cucina

